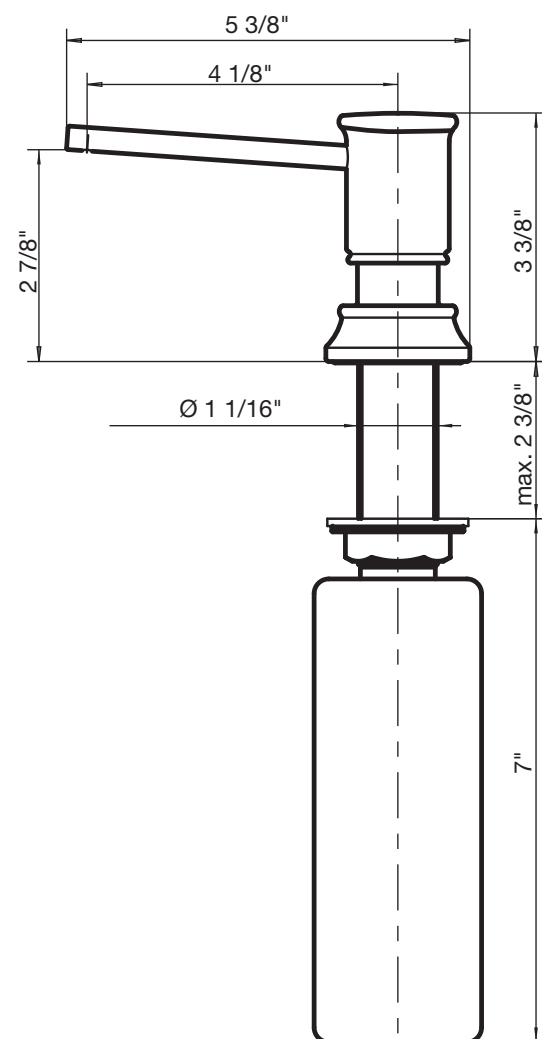


BLANCO EMPRESSA soap dispenser

BLANCO CANADA INC. and BLANCO AMERICA INC. are subject to the terms below pleased to offer a 1 Year Limited Warranty with all BLANCO accessories and soap dispensers used in interior single-family domestic, multi-residential and rental housing, and used for commercial purposes installations. BLANCO warrants its accessories and soap dispensers to be free from all proven manufacturing defects in material and workmanship. BLANCO will repair or replace any accessories and soap dispensers supplied by BLANCO that is proven to be defective under normal use.

WARRANTY EXCLUSIONS AND OTHER TERMS

BLANCO shall not be liable in case of: (A) improper installation or modification, damages resulting from abuse, such as heavy impact or dropped objects, improper care or maintenance, improper applications (such as exposure to corrosive chemicals,

photographic solutions, etc.), and any modifications made to the product after it left BLANCO premises; (B) wear and tear, including chips, scratches and stains that can occur under normal use; or (C) loss or damage to any person or property whatsoever resulting from a defective product.

All transportation costs to and from the point of purchase, labor, removal and reinstallation will be the responsibility of the purchaser.

For greater clarity, accessories that accompany the sink (strainers, waste fittings, waste chutes etc.) are under separate product-specific warranties.

TO THE EXTENT NOT PROHIBITED BY LAW, NO OTHER WARRANTY, WHETHER EXPRESS, IMPLIED, OR STATUTORY, INCLUDING ANY WARRANTY OF MERCHANTABILITY OR FITNESS FOR A PARTICULAR PURPOSE SHALL BE DEEMED TO EXIST IN CONNECTION WITH ANY OF THE GOODS OR SERVICES SUPPLIED HEREUNDER, AND ALL IMPLIED WARRANTIES, INCLUDING ANY IMPLIED WARRANTIES FOR A PERIOD GREATER THAN THE WARRANTY PERIOD CONTAINED IN BLANCO'S LIMITED WARRANTY, ARE HEREBY EXCLUDED. BLANCO SHALL NOT BE LIABLE FOR ANY INDIRECT, INCIDENTAL, SPECIAL OR CONSEQUENTIAL DAMAGES IN ANY WAY RELATED TO THE GOODS OR SERVICES SUPPLIED HEREUNDER. THE REMEDIES DESCRIBED IN THIS WARRANTY ARE YOUR SOLE AND EXCLUSIVE REMEDIES AND OUR ENTIRE LIABILITY FOR ANY BREACH OF THIS WARRANTY.

THIS WARRANTY GIVES YOU SPECIFIC LEGAL RIGHTS, AND YOU MAY ALSO HAVE OTHER RIGHTS WHICH VARY FROM JURISDICTION TO JURISDICTION. SOME PROVINCES, STATES OR OTHER JURISDICTIONS DO NOT ALLOW THE EXCLUSION OR LIMITATION OF IMPLIED WARRANTIES OR OF INCIDENTAL OR CONSEQUENTIAL DAMAGES, SO THE ABOVE LIMITATIONS OR EXCLUSIONS RELATING TO IMPLIED WARRANTIES, OR INCIDENTAL OR CONSEQUENTIAL DAMAGES MAY NOT APPLY TO YOU.

This warranty applies only to the products sold and installed in Canada and the U.S.A. Blanco Canada Inc. will be responsible for this warranty for products sold and installed in Canada and Blanco America, Inc. will be responsible for this warranty for products sold and installed in the U.S.A. This warranty supersedes all previous warranties for any BLANCO sink, faucet, accessory, soap dispenser, and repair part in the U.S.A and Canada. This is BLANCO's exclusive written warranty and the warranty is not transferable without the prior written consent of Blanco, in its sole and absolute discretion.

To obtain warranty service, please fill in the contact us form under the support section on our website www.blanco.com.

Warranty: Limited 1 year warranty from original date of purchase.

All warranty claims must be accompanied by original sales receipt.

BLANCO

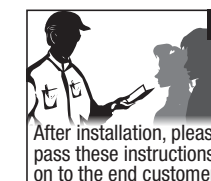
www.blanco.com

BLANCO America Inc.
110 Mount Holly Bypass,
Lumberton, New Jersey 08048
Toll free phone: 1-800-451-5782
service.us@blanco.com

BLANCO Canada Inc.
100 Corporation Drive
Brampton, Ontario L6S 6B5
Toll free phone: 1-877-425-2626
service.ca@blanco.com

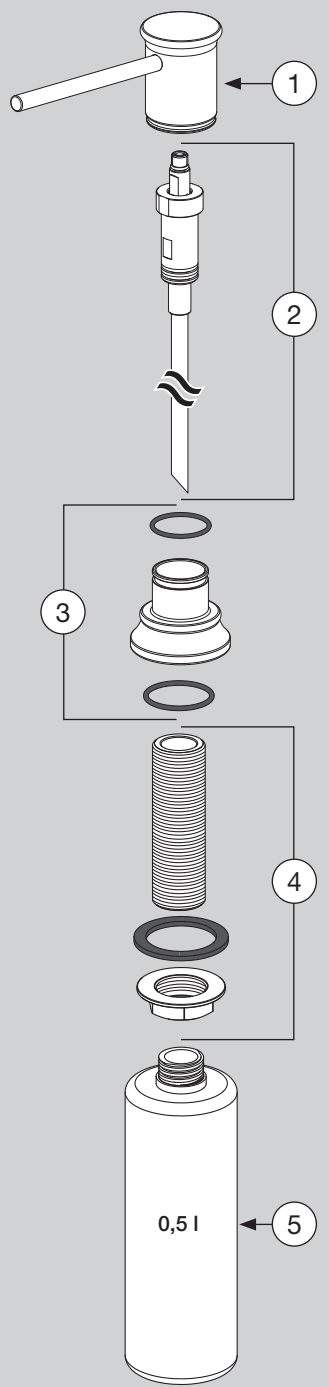
BLANCO EMPRESSA

soap dispenser

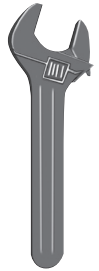
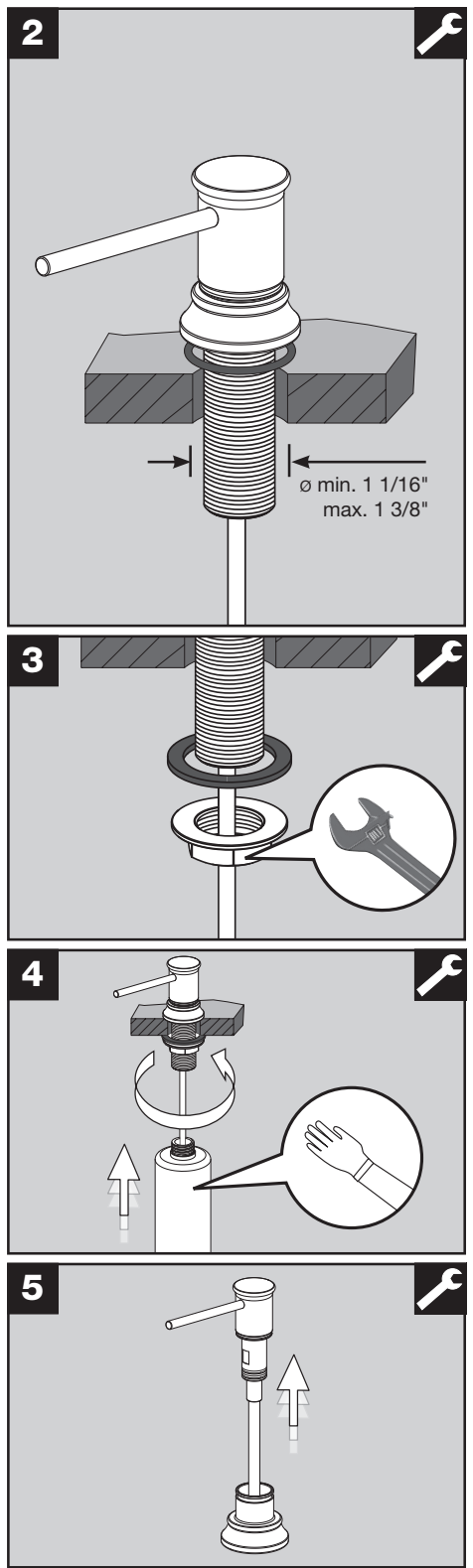


After installation, please pass these instructions on to the end customer.

1 **BLANCO EMPRESSA soap dispenser** **i**



Tools needed:
- Adjustable wrench

INSTALLATION

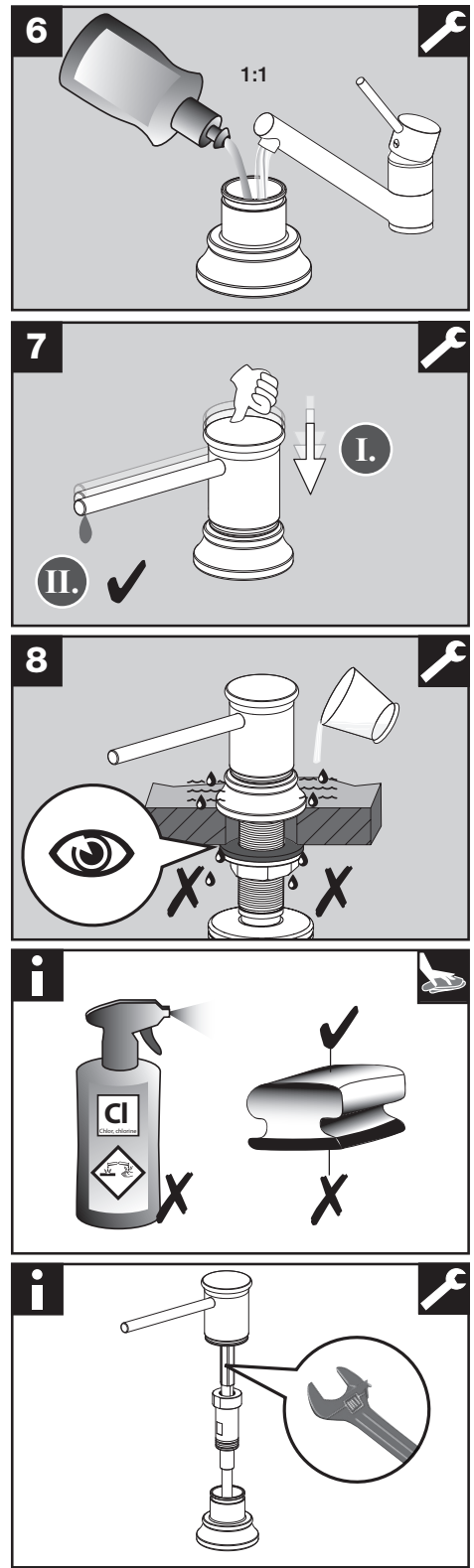
Place dispenser through hole. Make sure that the sealing ring on the upper sink/countertop side is in its correct position.

Secure soap dispenser to sink/countertop using mounting hardware (4).

The proper sequence of hardware is:
- rubber washer,
- mounting nut.

Connect the bottle (5) to the threaded stem.

Pull out dispenser head by lifting it up.



Fill in soap or dishwashing liquid. We recommend a 1:1 mixture with water.

Reassemble and pump the dispenser several times until the soap comes out.

Check the tightness of the installation. No water may get into the base cabinet.

Cleaning: Use only liquid cleaners or soapy water. Anti-lime or acidic cleaners such as scouring agents or abrasive sponges are to be avoided. Polish with soft cloth.

Replacement of the pump

1. Remove the dispenser and pump by grasping the dispenser (1) and pulling upward away from the base.
2. To separate the pump (2) from the dispenser (1): grasp the pump shaft on the flat sides using the wrench and turn counterclockwise while holding the pump. To avoid scratching the pump, it is recommended to wrap the shaft with a soft cloth before using the wrench.