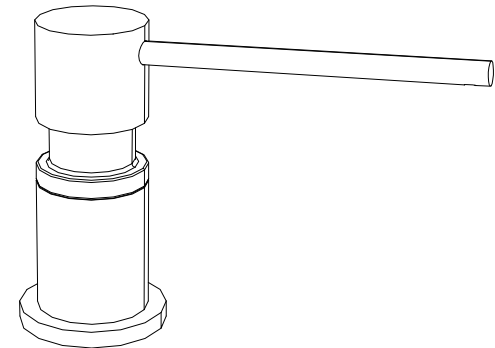


# BLANCO

## BLANCO LATO SOAP DISPENSER

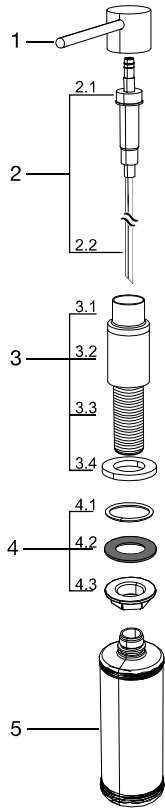
### TECHNICAL PRODUCT INFORMATION

MODELS 402298 - 402299 - 402300  
402302 - 402303 - 402304  
402305 - 402306 - 402307  
402573 - 443031



## BLANCO

BLANCO Canada Inc.  
100 Corporation Drive  
Brampton, Ontario L6S 6B5  
Toll Free Tel: 1-877-425-2626  
Toll Free Fax: 1-877-825-2626  
[www.blancocanada.com](http://www.blancocanada.com)



POS.	ARTICLE CODE N.
1 Dispenser Chrome	402413
1 Dispenser Stainless Finish	402418
1 Dispenser Black Matt	124288
2 Pump Kit	402414
3 Base Kit Chrome	402416
3 Base Kit Stainless Finish	402419
3 Base Kit Chrome/Anth.	402420
3 Base Kit Chrome/Café	402422
3 Base Kit Chrome/Cinder	402423
3 Base Kit Chrome/Met. Gray	402424
3 Base Kit Chrome/Truffle	402425
3 Base Kit Chrome/Biscuit	402421
3 Base Kit Chrome/White	402426
3 Base Kit Black Matt	124289
3 Base Kit Concrete Gray/chrome	124361
4 Installation Kit	402417
5 Bottle	122237

### ASSEMBLY

1. Separate dispenser (1) from base (3) by grasping dispenser (1) and base (3) and pulling in opposing directions.
2. Insert the flat side of straw (2.2) in pump (2.1), and reassemble by inserting dispenser (1) and pump kit (2) in base (3).
3. Insert base (3) in the  $\varnothing$  1-3/8" Sink hole making sure to place o-ring (4.1) between base (3) and the supporting surface.
4. Secure base (3) by placing gasket (4.2), then nut (4.3), on threaded stem (3.3) from beneath the supporting surface. Hand tighten nut (4.3) by turning clockwise. Complete the installation by tightening nut (4.3) up to 1/16<sup>th</sup> turn, using a wrench.
5. Hand tighten bottle (5) to threaded stem (3.3) from beneath the supporting surface by rotating bottle (5), clockwise.

### FILLING

1. Remove the dispenser and pump by grasping the dispenser (1) and pulling upward away from base (3) from above the supporting surface. Fill bottle (5) by pouring soap directly into the opening of base (3.1). Maximum bottle capacity = 300 ml (10.1 us fl oz).
2. Once bottle (5) is filled, insert dispenser (1) and pump kit (2) in base (3). Prime the soap dispenser by depressing dispenser (1) 3 times until soap is dispensed.

### REPLACEMENT OF THE PUMP

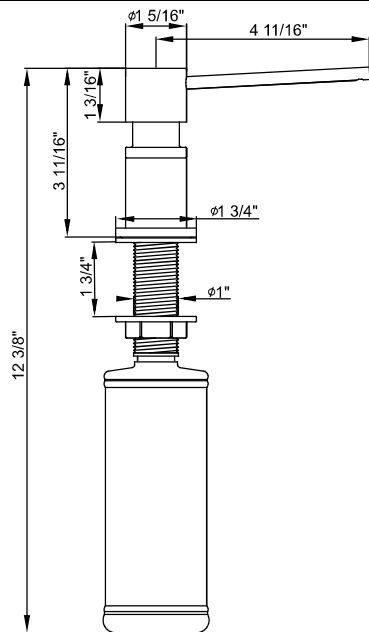
1. Remove the dispenser (1) and pump (2) by grasping the dispenser (1) and pulling upward away from base (3).
2. Remove the pump (2) from the dispenser (1) by grasping the dispenser (1) and pump kit (2) and pulling apart.
3. Reassemble by inserting replacement pump kit (2) in dispenser (1) and inserting in base (3).

### CLEANING

Use only liquid cleaners or soapy water. Anti-lime or acidic cleaners such as scouring agents or abrasive sponges are to be avoided. Polish with a soft cloth.

### WARRANTY

Limited 1 year warranty from original date of purchase. All claims must be accompanied by original sales receipt.



Sink hole  $\varnothing$  1-3/8"

## BLANCO LATO SOAP DISPENSER