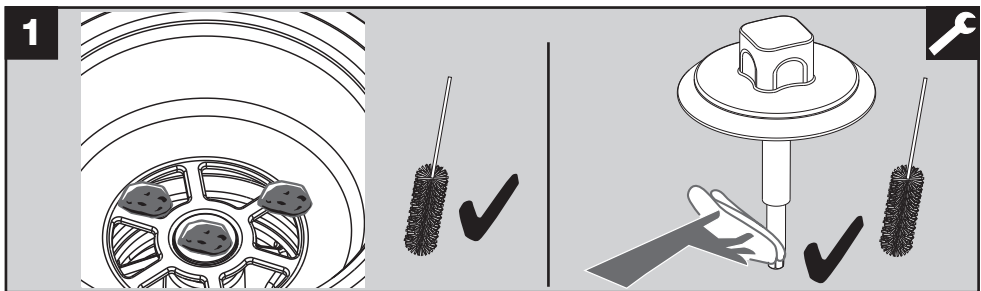
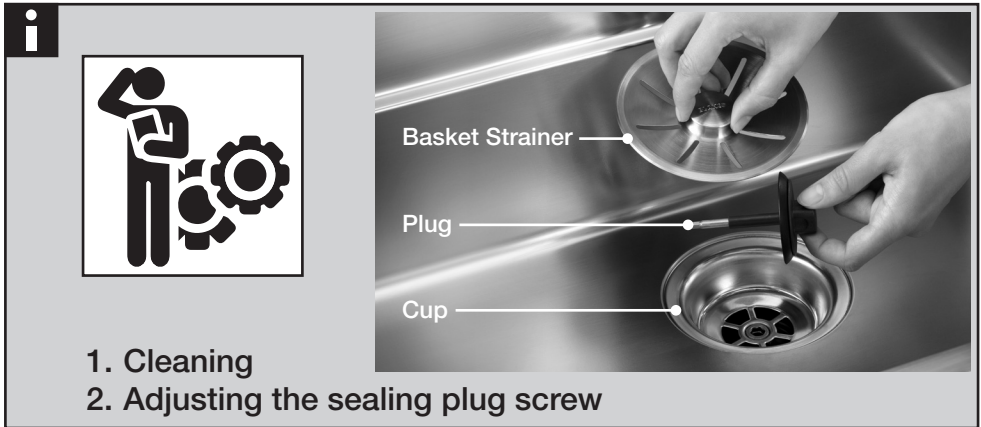


Adjusting the InFino® plug screw



1. Cleaning:

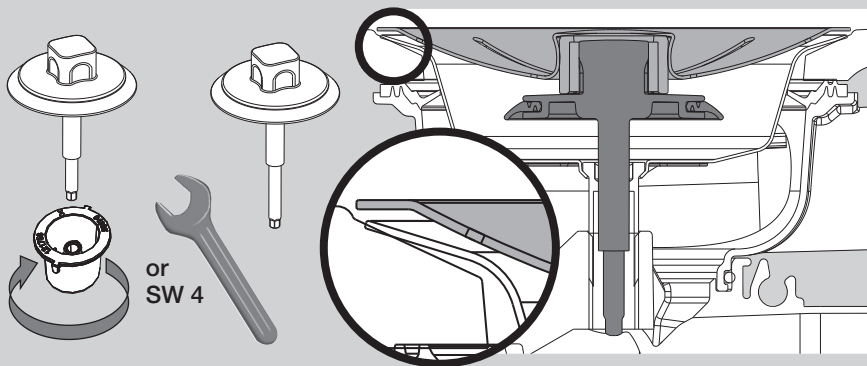
Having a clean system is vital for smooth operation. If necessary, remove the plug and clean it, rinsing the cup thoroughly to remove any foreign matter.

Please do this regularly.

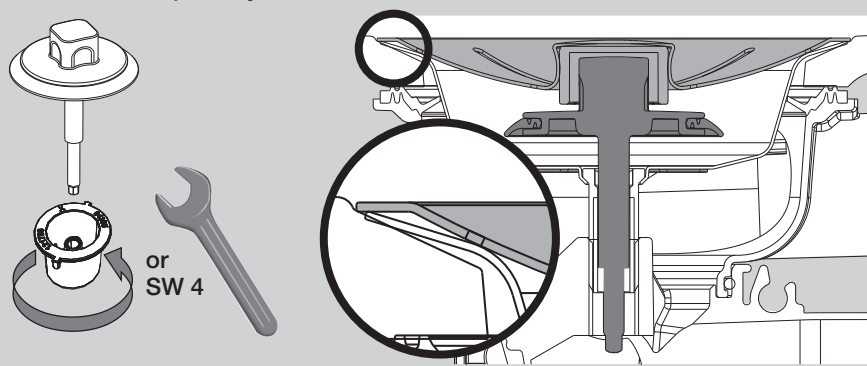
If the InFino® does not close properly, the screw must be adjusted.

2

Unscrew the screw so that the basket strainer lifts a little when the Blanco PushControl is operated.



Now turn the screw 1.5 turns in the opposite direction. Now the InFino® PushControl is optimally set.



2. Adjusting the sealing plug screw

System check:

The system can be opened and closed.