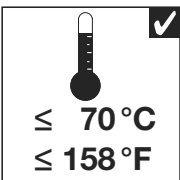
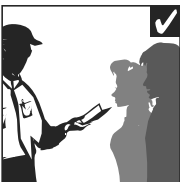


BLANCO

BLANCO MILI



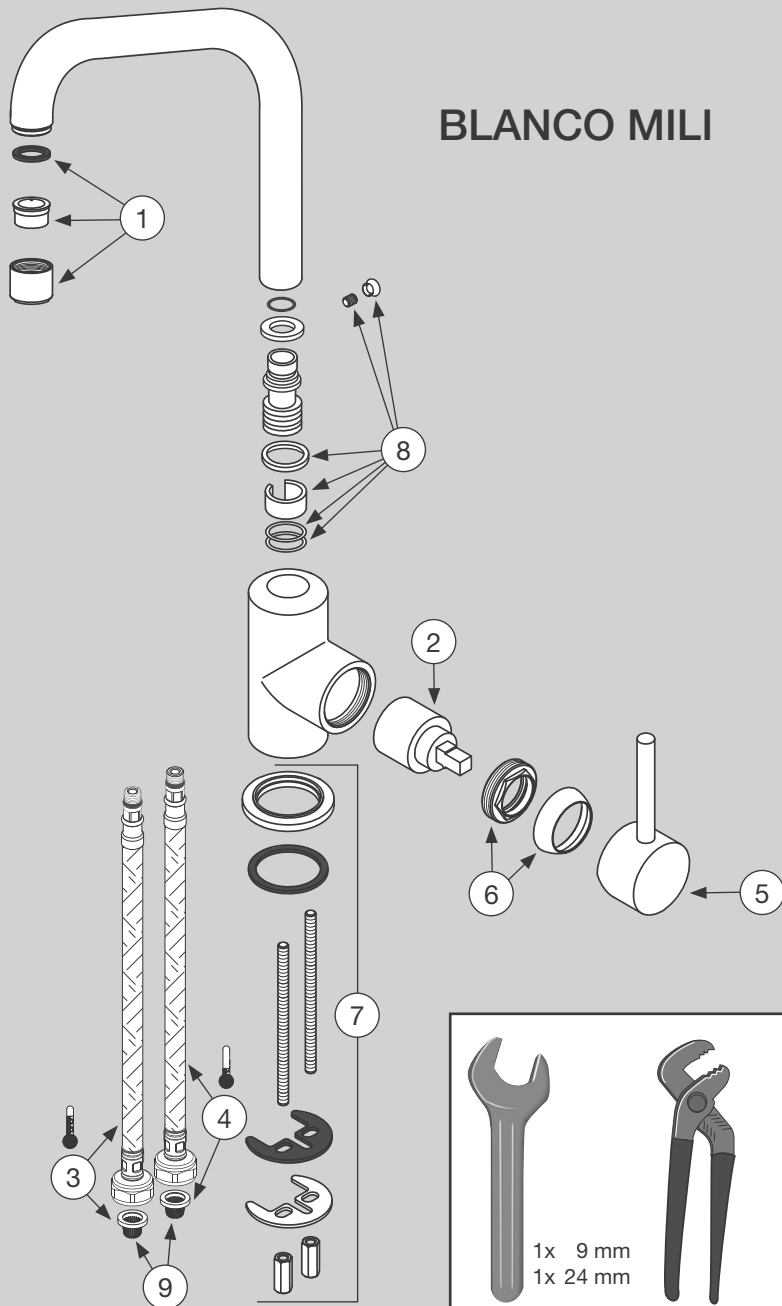
Max Static Pressure: 1000 kPa, Min Pressure: 150 kPa
Recommended Dynamic Pressure: 300 kPa

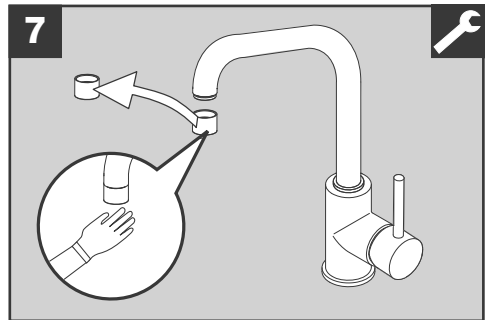
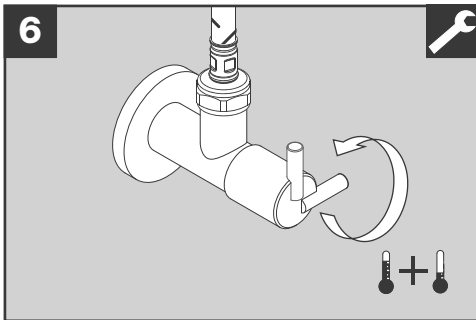
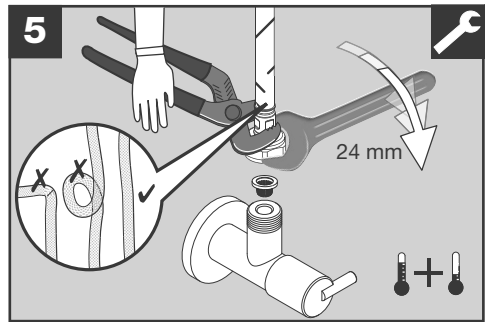
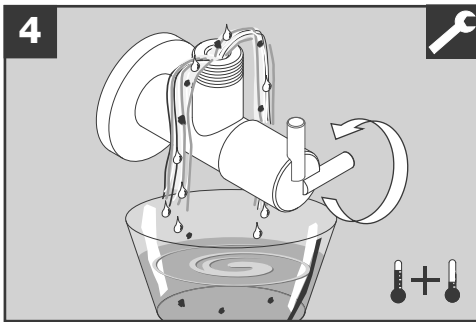
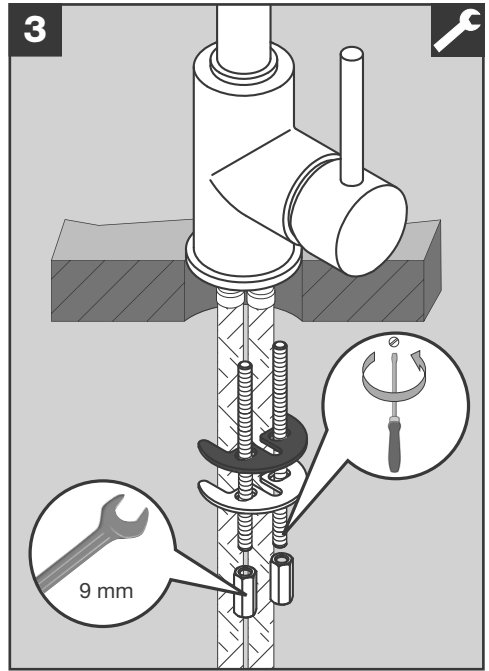
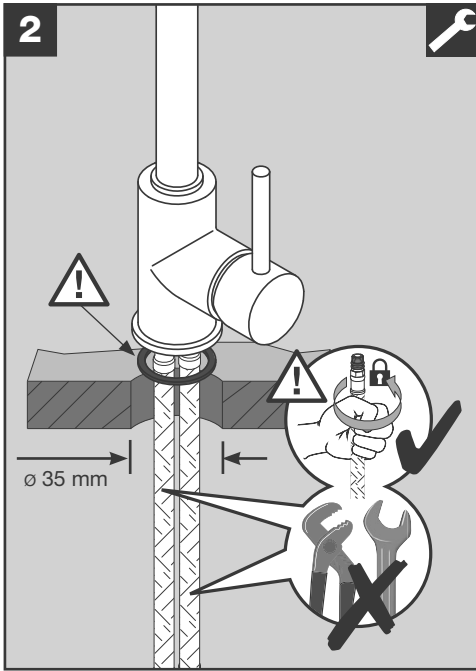
This installation is subject to the requirements of the applicable regulatory authority, the National Construction Code Volume Three – Plumbing Code of Australia, associated reference standards as applicable at the time and AS 3718.

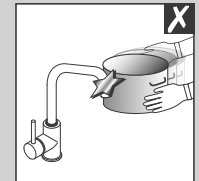
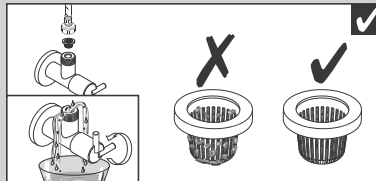
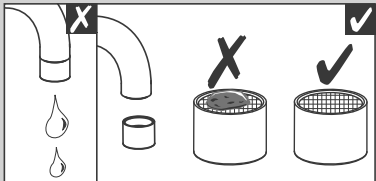
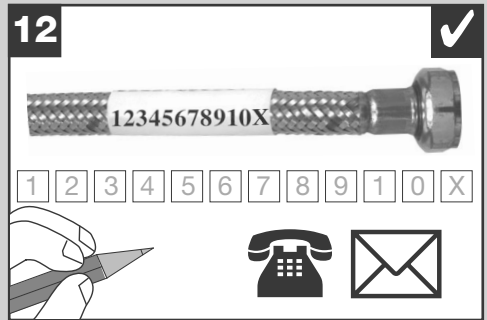
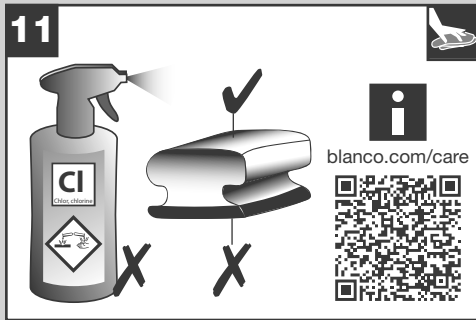
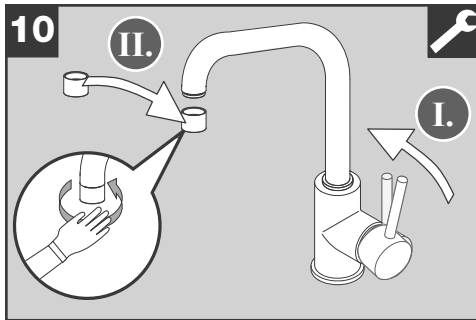
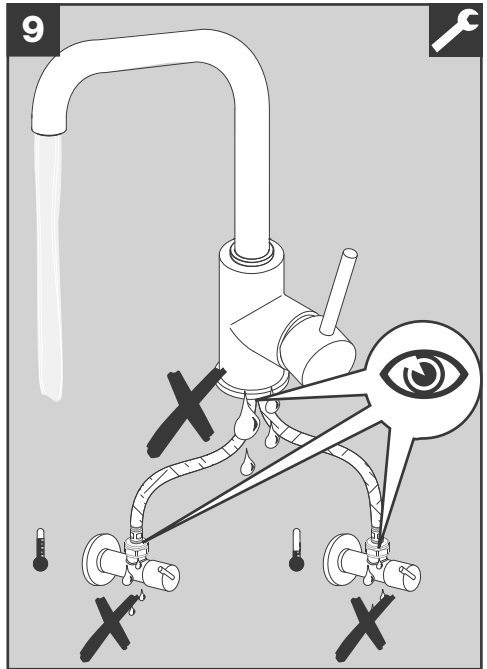
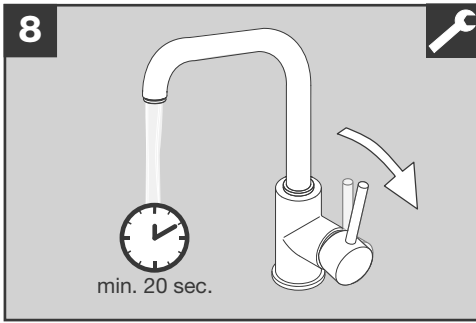
1

i

BLANCO MILI







BLANCO

BLANCO AUSTRALIA PTY LTD
Service AU
Phone: +61 75 5960 894
blanco@t2services.com.au

BLANCO

铂浪高贸易 (上海) 有限公司
中国服务商
电话: 86-21-58355662/400-788-2100
info-blancochina@blanco.de
www.blanco.com.cn