

BLANCO

BLANCO FWD Lite BLANCO FWD Medium BLANCO FWD Max



eng

Food Waste Disposer



deu

Abfallzerkleinerer

zhx

厨余垃圾处理器

deu



www.blanco.com/montage

Video
视频



eng

www.blanco.com/install

eng	Installation and operating instructions	4-20
deu	Montage- und Bedienungsanleitung	21-37
zhx	安装与操作说明书	38-54

Contents

	Page
GENERAL INFORMATION	5
1. General instructions	5
a. Customer service	5
b. About this manual	5
c. Safety precautions and markers	5
d. Signal words	5
e. Other markers in this manual	5
f. Units of measurement	5
2. Safety	6
a. Proper use	6
b. General safety precautions	6
INSTALLATION	6
3. Safety	6
a. General safety precautions	6
b. Regulations, industrial standards and legislation	7
4. Scope of delivery/components	7
5. Preparation work	8
a. Unpacking and checking components	8
b. Installation location	8
c. Electrical connection	8
d. Kitchen sink	8
e. Required tools and materials	8
6. Installation	9-14
7. Initial start-up	15
OPERATION	15
8. Description and operation of disposer	15-16
9. Problem solving	16-18
CLEANING & CARE	18
10. Cleaning & care	18
TECHNICAL DATA	19
11. Dimensions and connections	19
12. Data table	20
WARRANTY	20
ENVIRONMENT & RECYCLING	20

GENERAL INFORMATION

1. General instructions

a. Customer service

Congratulations on acquiring your new disposer by BLANCO. We hope you enjoy using our product.

Our operating instructions are designed to make it easy for you to use the BLANCO FWD Lite, Medium or Max. If you should have any questions, don't hesitate to contact our BLANCO Customer Service. We'll be happy to help in the event of any damage or wear.

BLANCO UK LIMITED

1 Victor Way, Colney Street

St. Albans, AL2 2FL

United Kingdom

Telephone +44 (0) 1923 635 292

info@blancotapservice.co.uk

b. About this manual

Please read the entire installation and operating instructions thoroughly before installation and initial operation and put them away ready for use later after installation. Pass on the instructions to the next users. This is requirement for safe installation and trouble-free use. Before continuing, read and observe all safety instructions and warnings.

c. Safety precautions and markers

Observe the following safety instructions and warnings as they will help you to avoid personal injury and/or damage to property.



SIGNAL WORD – type of hazard

This is where possible consequences are indicated if you do not comply with the safety instruction.

This is where measures to prevent hazards are indicated.

d. Signal words



DANGER

The signal word DANGER draws your attention to sources of danger which can cause severe physical injury or even death.



WARNING

The signal word WARNING draws your attention to sources of danger which can cause injury or considerable damage to property.



CAUTION

The signal word CAUTION draws your attention to sources of danger which can cause damage to property.

e. Other markers in this manual



Warning of electrical voltage



Warning of hand injury



Warning of risk of suffocation



Disposal of disposer

f. Units of measurement

All measurements are in millimetres unless indicated otherwise.

2. Safety

a. Proper use

The food waste disposer (hereinafter referred to as “the disposer”) is designed to shred organic kitchen waste such as preparation waste or food leftovers and dispose of this waste in the sewage system via the drain. The disposer is intended for use in private households and home environments.

The disposer must not be used for other purposes, such as washing hair, clothes or pets. Any other or additional use is considered improper. Correct usage also includes observing these instructions. Negligent use, improper handling, opening the disposer up and non-compliance with the specifications in the operating instructions will lead to the warranty becoming void.

b. General safety precautions



WARNING – injury

Children aged 8 or over and people with reduced physical, sensory or mental capabilities or lacking in experience and knowledge may only use the disposer under supervision or if they undergo a suitable briefing on safe usage and they are aware of the associated risks and hazards. Such people must not clean the disposer without supervision. Children must not play with the device.

Although the disposer does not contain sharp knife blades, injury cannot be ruled out due to the high speed of the grinding tools if people reach down very deeply into the disposer when it is working.

Do not reach into the disposer with your fingers while it is in operation and do not insert any long objects into the grinding chamber.

Always disconnect the mains plug before using your hands to clean the inside of the grinding chamber or remove foreign objects from the grinding chamber.



CAUTION – damage

The user must protect the disposer against frost.



WARNING – damage

Waste water leaking unnoticed can cause damage.

Check the hose, pipe and sink connections for leaks on a regular basis.



DANGER – electric shock

Attention: live parts. Electrical components in the disposer and the switch box must not be opened under any circumstances.

INSTALLATION

3. Safety

a. General safety precautions

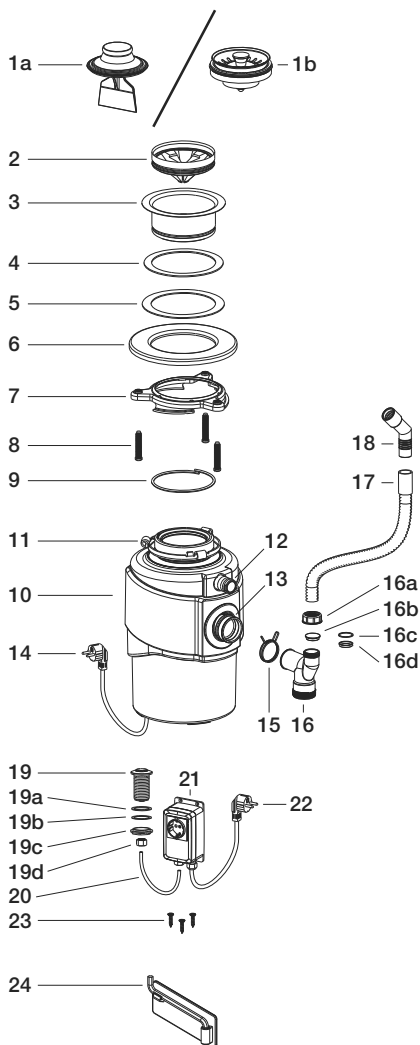
Only a trade professional/qualified technician may install the disposer, put it into operation or repair it.

The disposer must be installed as described in these instructions. Only approved original parts and original accessory parts may be used, which you can obtain from BLANCO (see Section 1 a for contact details) or from your contractual partner/specialist retailer.

b. Regulations, industrial standards and legislation

Check that the use of the disposer is approved by the authorities in your region before installing the disposer and putting it into operation. The local water utility's national and regional regulations must be taken into account. Also observe the building structure regulations.

4. Scope of delivery/components



PARTS ON THE SINK

- 1a. Sink plug (BLANCO FWD Lite)
- 1b. Strainer (BLANCO FWD Medium, Max)
2. Splash guard
3. Sink flange
4. Rubber seal, top
5. Seal, bottom
6. Retaining ring
7. Holding ring
8. Holding ring screws (3)
9. Circlip

FOOD WASTE DISPOSER

10. Disposer (BLANCO FWD Lite, Medium or Max)
11. Lower holding ring
12. Dishwasher connection
13. Outlet opening
14. Disposer plug

DRAIN

15. Hose clamp
16. Outlet elbow pipe
- 16a. Overflow nut
- 16b. Dummy plug
- 16c. Seal ring
- 16d. Overflow seal
17. Overflow hose
18. Overflow adapter

SWITCH ASSEMBLY

19. Pneumatic switch/air switch
- 19a. Air switch rubber seal
- 19b. Air switch seal ring
- 19c. Air switch fastening nut
- 19d. Air switch hose nut
20. Air hose
21. Switch box
22. Mains plug
23. Screws (3)

ACCESSORIES/TOOL

24. Hex key

5. Preparation work

a. Unpacking and checking components

Remove basic disposer and all accessory parts from the packaging and remove/dispose of packaging material.

		WARNING – risk of injury WARNING – warning of electrical voltage You must not use a damaged disposer under any circumstances.
---	---	---

Check that you have all parts and inspect for visible damage before installing the new disposer.

	DANGER – risk of suffocation Keep film packaging away from children.
---	--

b. Installation location

The disposer is designed to operate beneath a sink within a closed room, usually a kitchen. The ambient temperature must be between 10 °C and 43 °C. The disposer must thus be installed in a frostproof room only. Avoid direct sunlight.

c. Electrical connection

	WARNING – warning of electrical voltage Carry out all electrical connection and installation work in accordance with regulations.
---	---

There must be an electrical socket outlet close to the disposer. The connection cable with plug is designed for a safety socket outlet. The socket must be freely accessible after the disposer is installed. It is not permitted to use a (permanently installed) electrical line connected directly to the power supply.

Do not use multiple sockets or extension leads. The disposer may only be connected to an earthing-type socket outlet and a residual current circuit breaker (RCD) that has a fuse of at least 12 amperes and provides a permanent power supply of 230 V ~ / 50 Hz.

d. Kitchen sink

The following must be observed when fitting the disposer to a kitchen sink:

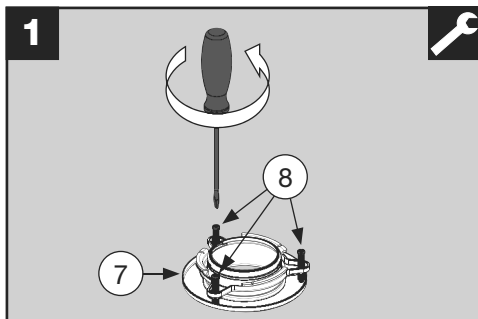
1. Diameter of the sink drain: 3 ½"
2. Sink material thickness: max. 18 mm
3. The waste water connection must not be higher up than the disposer's drain opening.

e. Required tools and materials

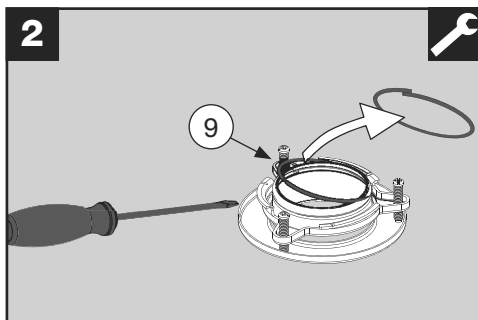
You require the following to install the disposer:

- Hex key (included in the scope of delivery)
- Slotted-head screwdriver
- Pozidrive screwdriver PZ 2
- Protective eyewear
- Cut protection gloves
- Blade knife
- Optional: hammer (only when the dishwasher is connected to the disposer)

6. Installation



Loosen the three screws (8) on the holding ring (7) but do not undo them completely.



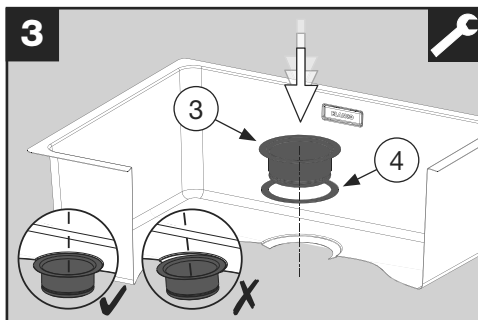
Use a long slotted-head screwdriver to lever out the circlip (9) and put it to one side.



WARNING - risk of injury

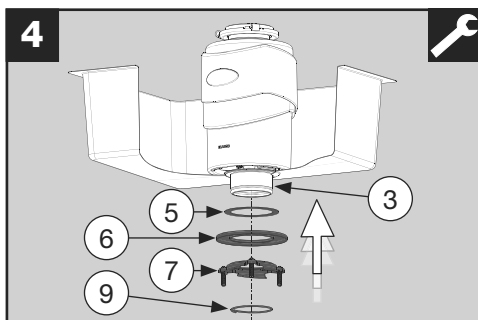


Wear gloves and protective eyewear when working on the circlip.



Attach the sink flange (3) together with the rubber seal on top (4) into the sink drain opening. Ensure you position it in the centre.

Weigh the sink flange down with the disposer from above to make it easier to assemble everything. If necessary, use an underlay in the sink to protect the sink from scratching.



Push the lower seal (5), the retaining ring (6) and the holding ring (7) onto the sink flange from below and press the circlip (9) into the groove in the sink flange (3).



WARNING - risk of injury



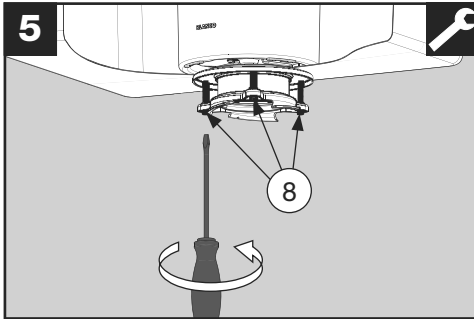
Wear gloves and protective eyewear when working on the circlip.



CAUTION – damage

The fitted disposer flange must form a good seal with the sink; otherwise, there is a risk that water from the sink will run down the disposer in the event of a leak, getting into the motor and damaging it.

If a good seal is not possible with the enclosed accessories due to the nature of the sink, use sealing material suitable for your sink (e.g. original BLANCO article number 214778 - sealing compound for ceramic sinks or original BLANCO article number 120055 - flexible sealing tape).



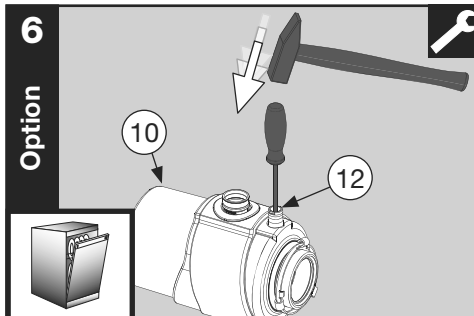
Tighten the three screws in the holding ring (8) evenly.



CAUTION – damage

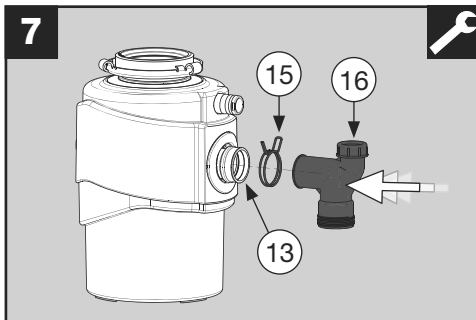
Water left standing for a long time can get into the motor and cause damage. The warranty does not cover any motor damage due to the causes described here.

Align the disposer carefully during assembly to ensure that no water is left in the grinding chamber. Please ensure that no water remains under the grinding disc either. The disposer's waste water pipe must be mounted vertically downwards and the wall drain must be lower than the disposer drain.

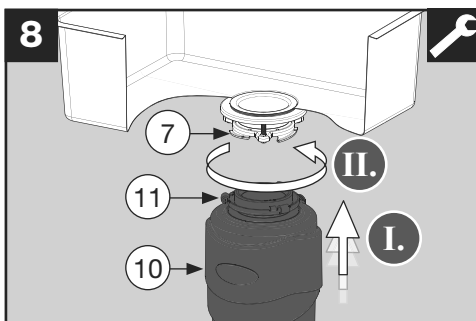


Optional (only use if the dishwasher outlet is to be connected to the disposer):

Place the disposer (10) on a firm surface with the dishwasher connection (12) facing upwards and insert a slotted-head screwdriver into the sealed dishwasher connection (12). Now hit the screwdriver with a hammer to break out the seal. Then remove the plastic parts from the disposer (10) interior.

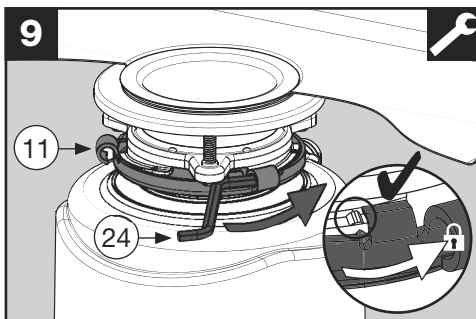


Connect the outlet elbow pipe (16) to the outlet opening (13) anti-vibration outlet and secure it with the hose clamp (15).

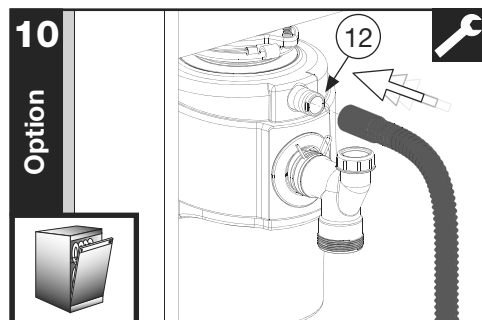


Push the disposer (10) against the sink flange (3) from below and turn the tabs of the lower holding ring (11) loosely over the retaining ring (7).

Note: The disposer is heavy. Have somebody else help you to install it on the sink if necessary.

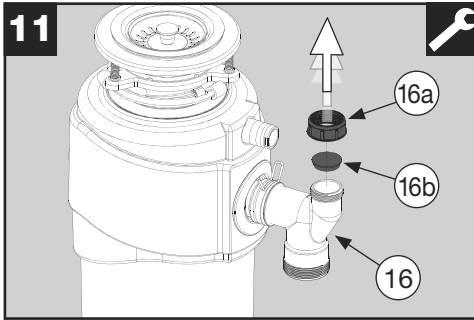


Use the enclosed hex key (24) as a lever and tighten the lower holding ring (11) as shown. You have reached the end position when the tabs on the lower holding ring (11) slide over the bumps on the holding ring (7). In doing so, note the alignment of the outlet opening (13) for the continued installation process. Insert the hex key (24) back into the holder and attach it near the disposer with the adhesive tape attached on the rear. The key will be needed in the event of any problems.

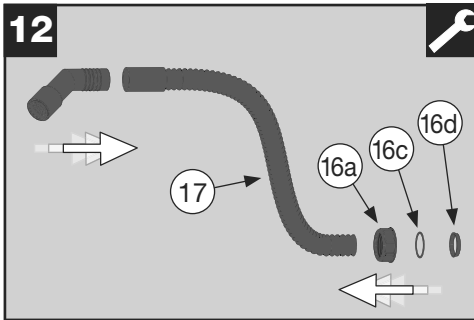


Optional (only use if the dishwasher outlet is to be connected to the disposer):

Insert the dishwasher outlet hose firmly into the dishwasher connection (12). We recommend securing it with a spring clip.



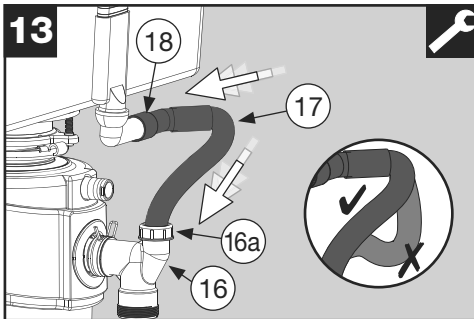
Remove the dummy plug (16b) from the outlet elbow pipe (16) by loosening the overflow nut (16a).



Determine the length of overflow hose (17) you require and trim if necessary.

WARNING - risk of injury
Wear cut protection gloves when trimming pipes with the blade knife.

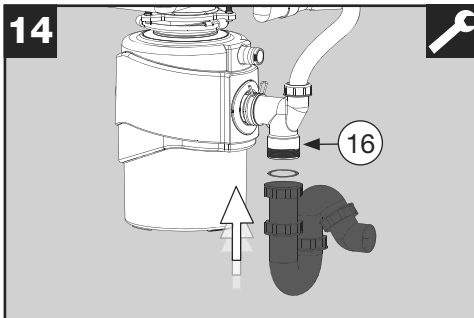
Push the overflow nut (16a), the seal ring (16c) and the overflow seal (16d) over the end.



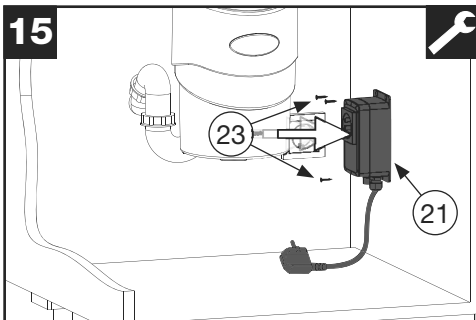
Push the overflow adapter (18) onto your sink overflow (until it locks into position).

Insert the free end of the overflow hose (17) into the outlet elbow pipe (16) overflow opening and screw the overflow nut (16a) tightly onto the thread.

The overflow hose must not sag.

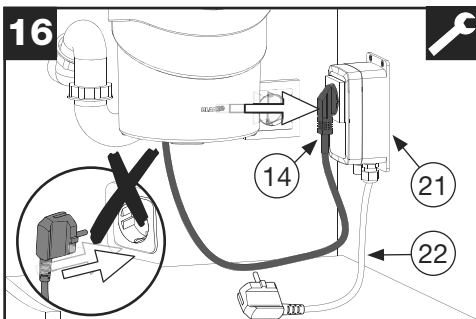


Connect your odour trap/siphon (not included in scope of delivery) to the lower outlet of the outlet elbow pipe (16) and to your building waste water connection.



Fit the switch box (21) with three screws (23) on the side wall of the base cabinet within reach of a socket outlet as shown.

Make sure that the cables and lines enter the switch box from below.

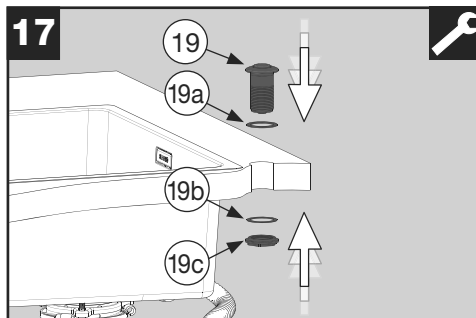


Connect the disposer plug (14) to the switch box (21) but do not connect the mains plug (22) itself to the socket outlet yet.



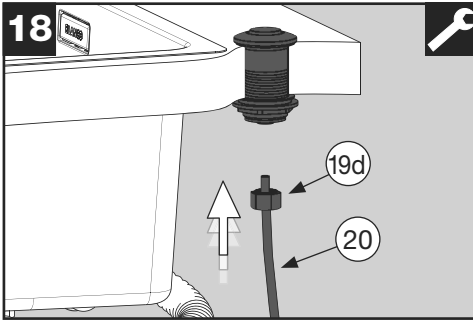
CAUTION – damage | CAUTION – warning of electrical voltage

Cables and pipes must be laid in such a way that they cannot be damaged. If a cable, plug, switch box, pneumatic switch/air switch or its line is damaged, contact BLANCO Customer Service (see Section 1. a for contact details) or your contractual partner/specialist retailer.



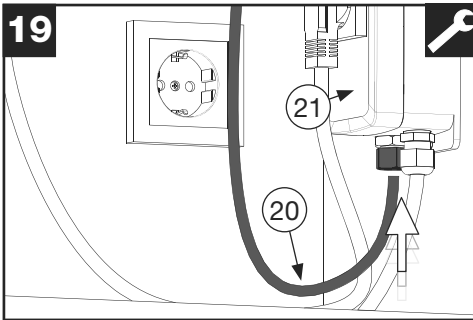
Remove the fastening nut (19c) and the seal ring (19b) from the pneumatic switch/air switch.

Screw the pneumatic switch/air switch (19) into the existing hole for a tap in your sink or worktop or drill a new hole measuring 35 mm in diameter. In doing so, ensure that the rubber seal (19a) is in the correct position.

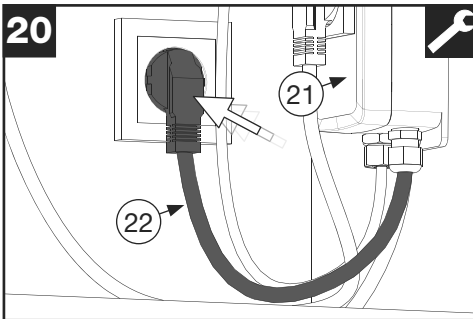


Undo the hose nut (19d) on the pneumatic switch/air switch. Push the nut onto the air hose (20).

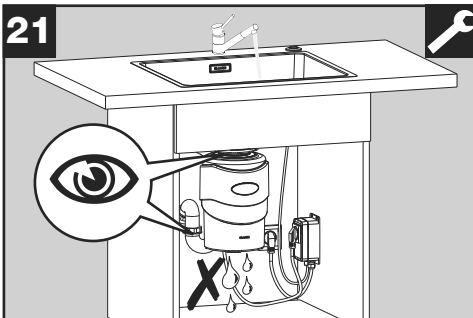
Connect the air hose (20) to the pneumatic switch/air switch (19) from below and secure it against slipping out with the hose nut (19d)



Connect the other end of the air hose (20) to the switch box (21) and secure the hose with the hose nut as described in Step 18.



Now insert the switch box (21) mains plug (22) into the socket outlet.



Put the disposer into operation as described in the following chapter, Initial Start-Up. To finish off, check all hose and pipe connections and the sink drain for any leaks.

7. Initial start-up



DANGER – electric shock, damage, risk of injury

Only a trade professional may perform the initial start-up and they must comply with safety regulations in doing so.

- Check that the disposer works correctly. In doing so, observe Section 8 in these instructions: Description and operation of disposer.
- No water must be left to stagnate in the grinding chamber. Ensure water drains out correctly.
- Handing over the system:
 - Explain how the disposer works to the user. Familiarise the user with its use.
 - Draw the user's attention to possible hazards, especially risk of injury while operating or cleaning the disposer.
 - Hand over these installation instructions.
- Check the hose, pipe and sink connections for leaks.

OPERATION

8. Description and operation of disposer

The food waste disposer (hereinafter referred to as “the disposer”) shreds organic kitchen waste such as preparation waste or food leftovers and disposes of this waste in the sewage system via the drain.

The disposer must not be used for other purposes, such as washing hair, clothes or pets. Any other or additional use is considered improper. Correct usage also includes observing these instructions. Negligent use, improper handling, opening the disposer up and non-compliance with the specifications in the operating instructions will lead to the warranty becoming void.

1. Remove the strainer (Max or Medium models) or the plug (Lite model) from the sink drain.
2. Run cold water (steady flow).
3. Switch the disposer on by pressing the pneumatic switch/air switch.
4. Feed small portioned amounts of your food waste down the drain while the disposer is operating and water is running.



WARNING – injury

You may need to press larger food leftovers into the grinding chamber through the rubber collar.

Do not reach into the disposer's grinding chamber with your fingers. Do not insert long objects such as cooking spoons into the grinding chamber.

5. Wait until the disposer has shredded all food waste. The grinding process is complete when the grinding sound stops and you now only hear the sound of the motor and the water flowing.
6. Leave the disposer and water running for a few seconds more to rinse everything out.
7. Now press the pneumatic switch/air switch again to switch off the disposer and turn the water off.
8. Insert the strainer or plug back into the outlet. This way you will stop objects accidentally falling into the disposer.



Position of the reset switch.

The drain pipe will not block if the disposer is used correctly. The kitchen waste is ground very finely before it reaches the sewage system. Hot and cold water are always guaranteed to drain away, even when the disposer is switched off.

A motor circuit breaker protects the disposer against damage if it gets too hot - due to excessive use, for example. Let the disposer cool down for a time. Do not press the reset switch at the bottom of the motor disposer if it has cooled down. Keep the space beneath the disposer clear to allow good access to the reset switch.



WARNING – injury

Prevent leftovers from being thrown out of the shredder during shredding and causing injury.

Never use the disposer without the splash guard (Pos. 2). It must always be inserted into the sink opening before initial operation. Do not insert long objects such as cooking spoons into the grinding chamber.



DANGER – injury, damage

Avoid putting the following items into the disposer to be ground:

- Long-fibred foodstuffs, such as artichokes
- Extremely hard, large objects, such as large bones and mussel or oyster shells

You must not feed the following items into the disposer to be ground under any circumstances:

- Garden waste
- Any non-organic waste such as glass, china, plastic, metal, oil, hot fat, corrosive drain pipe cleaners or chemicals, such as paints and varnishes




DANGER – injury, damage

Do not store or use any flammable objects such as cloths, paper or spray cans, petrol or other flammable vapours and liquids near the disposer.

9. Problem solving

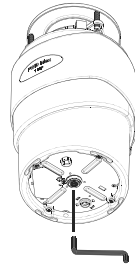
We have listed a few tips on finding and eliminating faults here in case the disposer will not switch on or off, or if other problems arise. If you are unsuccessful in eliminating a fault after trying these tips, do not do any repairs yourself; contact BLANCO Customer Service (see Section 1. a for contact details) or your contractual partner/specialist retailer instead.

Problem	Disposer will not switch on.
Cause	Blockage
Solution	<p>Long-fibred foodstuffs have become stuck in the grinding chamber or extremely hard/large objects have blocked the grinder. This caused the motor to overheat and shut off automatically.</p> <ol style="list-style-type: none"> 1. Switch the disposer off. 2. Switch the disposer off at the electrical socket outlet.



DANGER – injury, damage
The disposer must be disconnected from the power supply if you wish to clean the disposer interior or remove a blockage from the grinding chamber.

3. Insert the supplied hex key into the hole in the middle of the disposer's lower surface. Turn the key backwards and forwards until you manage to rotate it completely. Then remove the hex key.



DANGER – injury, damage

The hex key must no longer be inserted into the disposer's lower surface if you wish to put the disposer back into operation.

4. Carefully remove the foreign object from the grinding chamber. You might like to use tools such as a pair of pliers or a screwdriver with a long handle.

5. Insert the mains plug back into the socket outlet.

6. Let the motor cool down for about 10 minutes and then press the overload protection once (red reset button on the disposer's lower surface).

Note: The BLANCO FWD Max model has an auto-reverse function. This means that the grinding discs rotate in the opposite direction when a foreign object gets stuck so that the object can detach itself. However, if the disposer should remain blocked, follow the steps as described above.

Cause Disposer overheated

Solution A motor circuit breaker protects the disposer against damage if it gets too hot - due to excessive use, for example. Let the motor cool down for about 10 minutes and then press the overload protection once (red reset button on the disposer's lower surface).

Cause Disposer does not receive a signal from the switch box.

Solution Check all cabling and the hose between the pneumatic switch (air switch) and the switch box for damage. Check that all cables are connected correctly. Does the disposer work if you briefly connect the line to the motor directly to the building connection socket outlet?
If not: press the overload protection once (red reset button on the disposer's lower surface) and try again. Check whether the power supply is working at the house connection socket outlet by briefly plugging in another device there and testing it. The pneumatic switch/air switch may be defective. Contact BLANCO Customer Service (see Section 1. a for contact details) or your contractual partner/specialist retailer.

Problem Bad odours from the outlet

Cause Dirt

Solution See chapter on Cleaning & care.

Problem	Unusual noises
Cause	Foreign objects in the grinding chamber
Solution	Particular types of kitchen waste can make unusual or loud noises when being shredded. The harder the waste, the louder the disposer is. A foreign object stuck in the grinding chamber may also be the cause. Remove the object as described in the Cleaning & care chapter.
Cause	Wear
Solution	Intensive use of the disposer may cause wear in the grinding parts, motor shaft bearings or other product parts. Contact BLANCO Customer Service (see Section 1. a for contact details) or your contractual partner/specialist retailer.

CLEANING & CARE

10. Cleaning & care

The disposer does not require any servicing and is virtually self-cleaning. However, food waste may accumulate in the grinding chamber and rubber protective collar over time. This may cause odours, which means the rubber collar and/or grinding chamber need(s) to be cleaned. There are several ways of cleaning the disposer and counteract odours:

a. Quick, easy cleaning:

Run hot water frequently through the disposer between the individual grinding processes. If necessary, you can add a little dish-washing detergent to the hot water. You should not operate the shredder for a long period time when doing so; otherwise, it might overheat and the disposer will switch off automatically.

b. Giving the grinding chamber a quick clean:

Throw ice cubes into the grinding chamber and switch the disposer on. The ice cubes will be shredded and clean the grinding chamber quickly and effectively without much effort and without causing any damage.

c. Giving the grinding chamber an intensive clean:

Fill the disposer grinding chamber with pieces of lemon, lime or orange along with the ice cubes and switch on the disposer briefly so that the ice cubes and citrus fruit are shredded together a little. The ice cubes clean the grinding chamber and the citric acid removes the bad odour and reduces lime scale. Leave the partially shredded matter in the disposer for around 30 min. before you use the disposer again. This allows the citric acid to take effect.

d. Cleaning the splash guard (2) and grinding chamber by hand:

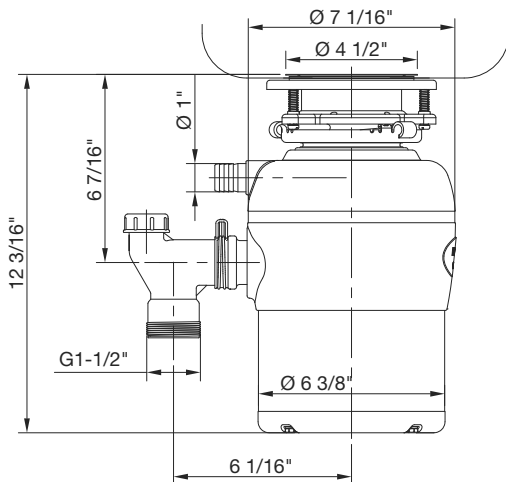
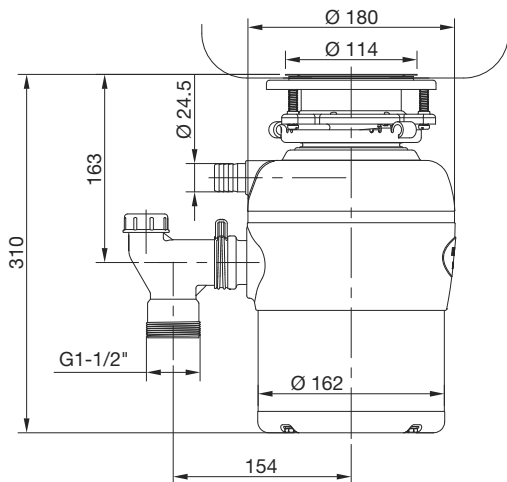
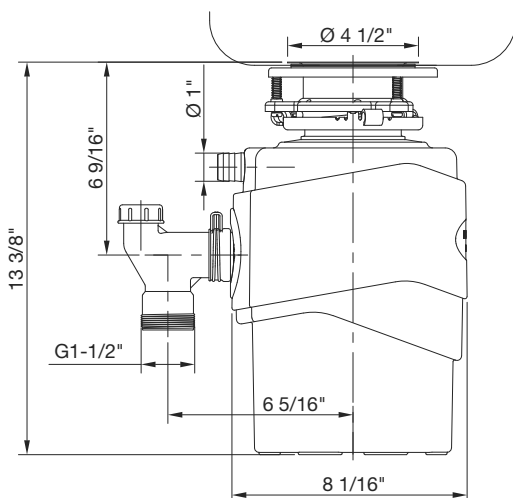
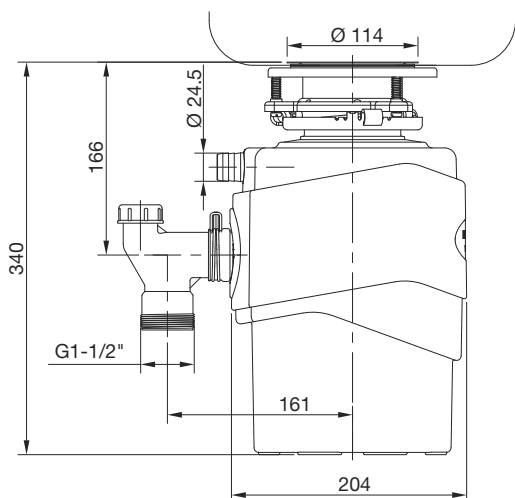
Disconnect from the power supply by removing the plug from the socket outlet. Carefully pull the rubber collar from the sink opening and clean the rubber collar and the grinding chamber with an item such as a brush. Then put the rubber collar back into the sink opening and close it. Fill the sink half full with warm water. You can either add a few drops of washing-up liquid or dissolve a teaspoon of baking soda (sodium bicarbonate) in the water. Reconnect the power supply and switch on the disposer. Now remove the plug from the sink. The warm water will clean and purge the grinding chamber.

**DANGER – injury, damage**

The disposer must be disconnected from the power supply if you wish to clean the disposer interior.

e. Cleaning the plug:

Both the sink plug (1a – Lite model) and the strainer (1b – Medium and Max models) are dishwasher-safe.

TECHNICAL DATA**11. Dimensions and connections****BLANCO FWD Lite:****BLANCO FWD Medium, BLANCO FWD Max:**

12. Data table

	BLANCO FWD Lite	BLANCO FWD Medium	BLANCO FWD Max
Voltage	230 V ~ / 50 Hz	230 V ~ / 50 Hz	230 V ~ / 50 Hz
Motor model	AC	AC	AC
Output	0.5 HP / 370 W / 10 A	0.75 HP / 560 W / 10 A	1.0 HP / 750 W / 12 A
Revolutions	1,470 r.p.m.	1,470 r.p.m.	1,470 r.p.m.
Grinding level	2	3	3
Volume of grinding chamber	900 ml	1,200 ml	1,200 ml
Weight	7.4 kg / 16.3 lb	10.2 kg / 22.5 lb	10.6 kg / 23.4 lb
Automatic switch-off after	~ 25 min.	~ 25 min.	~ 15 min.

WARRANTY

The statutory warranty for the country where the disposer was purchased applies to this disposer. You must always submit the proof of purchase to make a warranty claim. Subject to change.

ENVIRONMENT & RECYCLING

Disposal of transport and sales packaging material

Your disposer has been carefully packaged to ensure it is delivered to you undamaged. Please help to protect the environment and dispose of the disposer's packaging material correctly. We participate in an effective return and disposal scheme in cooperation with wholesalers, trade professionals and specialist dealers which recycles packaging in an environmentally friendly way. Give the transport packing to your trade professional or specialist dealer.

Disposal of old appliances



Disposal of disposer

You must not dispose of appliances marked with this symbol in the general household waste. Dispose of this appliance correctly in line with applicable local regulations and legislation.

As a manufacturer, we will ensure environmentally sound treatment and recycling of old appliances as part of our product stewardship. You can obtain more information about waste collection and disposal from your local council or your trade professional or specialist dealer.

We work to ensure that new disposers have a high degree of recyclability right from their development stage. The return system ensures high material recycling rates to reduce the impact on landfills and the environment. We thus make a joint valuable contribution to protecting the environment.

Inhalt

	Seite
ALLGEMEINES	22
1. Allgemeine Hinweise	22
a. Kundenservice	22
b. Zu diesem Handbuch	22
c. Sicherheitshinweise und Markierungen	22
d. Signalworte	22
e. Andere Markierungen in diesem Handbuch	22
f. Maßeinheiten	23
2. Sicherheit	23
a. Bestimmungsgemäße Verwendung	23
b. Allgemeine Sicherheitshinweise	23
INSTALLATION	23
3. Sicherheit	23
a. Allgemeine Sicherheitshinweise	23
b. Vorschriften, Normen und Bestimmungen	24
4. Lieferumfang / Komponenten	24
5. Vorbereitungen	25
a. Auspacken und Kontrolle der Komponenten	25
b. Montageort	25
c. Elektroanschluss	25
d. Küchenspüle	25
e. Benötigte Werkzeuge und Materialien	25
6. Montage	26-31
7. Erstinbetriebnahme	32
BEDIENUNG	32
8. Gerätebeschreibung und Bedienung	32-33
9. Problembehebung	33-35
REINIGUNG & PFLEGE	35
10. Reinigung & Pflege	35
TECHNISCHE DATEN	36
11. Maße und Anschlüsse	36
12. Datentabelle	37
GEWÄHRLEISTUNG	37
UMWELT & RECYCLING	37

ALLGEMEINES

1. Allgemeine Hinweise

a. Kundenservice

Herzlichen Glückwunsch zum Kauf Ihres neuen Gerätes aus dem Hause BLANCO. Wir wünschen Ihnen viel Freude mit unserem Produkt.

Unsere Bedienungsanleitung ist so aufgebaut, dass Ihnen die Handhabung des BLANCO FWD Lite, Medium oder Max leicht von der Hand gehen dürfte. Sollte dennoch eine Frage auftauchen, setzen Sie sich bitte mit unserem BLANCO Kundendienst in Verbindung. Gerne helfen wir Ihnen auch im Falle von Beschädigungen oder bei Verschleiß.

BLANCO UK LIMITED

1 Victor Way, Colney Street

St. Albans, AL2 2FL

United Kingdom

Telephone +44 (0) 1923 635 292

info@blancotapservice.co.uk

b. Zu diesem Handbuch

Bitte lesen Sie vor Installation und Inbetriebnahme die gesamte Einbau- und Bedienungsanleitung gründlich durch und bewahren Sie diese auch nach der Montage für eine spätere Verwendung auf. Geben Sie die Anleitung an nachfolgende Benutzer weiter. Dies ist Voraussetzung für die sichere Installation und eine störungsfreie Handhabung. Bevor Sie fortfahren, lesen und beachten Sie bitte alle Sicherheits- und Warnhinweise.

c. Sicherheitshinweise und Markierungen

Bitte achten Sie auf die folgenden Sicherheits- und Warnhinweise. So können Personen- und/oder Sachschäden vermieden werden.



SIGNALWORT – Art der Gefahr

Hier stehen mögliche Folgen bei Nichtbeachtung des Sicherheitshinweises.
Hier stehen Maßnahmen zur Abwehr der Gefahr.

d. Signalworte



GEFAHR

Das Signalwort GEFAHR macht Sie auf Gefahrenquellen aufmerksam, die zu schweren Körperverletzungen oder zum Tod führen können.



WARNUNG

Das Signalwort WARNUNG macht Sie auf Gefahrenquellen aufmerksam, die zu Verletzungen oder erheblichen Sachschäden führen können.



VORSICHT

Das Signalwort VORSICHT macht Sie auf Gefahrenquellen aufmerksam, die zu Sachschäden führen können.

e. Andere Markierungen in diesem Handbuch



Warnung vor elektrischer Spannung



Warnung vor Handverletzungen



Warnung vor Erstickengefahr



Geräteentsorgung

f. Maßeinheiten

Wenn nicht anders angegeben sind alle Maße in Millimeter.

2. Sicherheit

a. Bestimmungsgemäße Verwendung

Der Abfallzerkleinerer (im Folgenden „das Gerät“) ist zum Zerkleinern organischer Küchenabfälle wie Zubereitungs- oder Essensresten und zur Entsorgung dieser Abfälle über den Abfluss in den Abwasserkanal konstruiert worden. Das Gerät ist nur für den privaten Haushalt und das häusliche Umfeld bestimmt.

Das Gerät darf nicht für andere Zwecke (beispielsweise zum Waschen von Haaren, Kleidern oder Haustieren) verwendet werden. Eine andere oder darüberhinausgehende Verwendung gilt als nicht bestimmungsgemäß. Zum bestimmungsgemäßen Gebrauch gehört auch das Beachten dieser Anleitung. Fahrlässige Nutzung, unsachgemäße Handhabung, das Öffnen des Gerätes sowie die Nichtbeachtung der Vorgaben in der Gebrauchsanleitung führen zudem zum Ausschluss von der Gewährleistung.

b. Allgemeine Sicherheitshinweise



WARNUNG – Verletzung

Dieses Gerät kann von Kindern ab 8 Jahren und darüber sowie von Personen mit verringerten physischen, sensorischen oder mentalen Fähigkeiten oder Mangel an Erfahrung und Wissen benutzt werden, wenn sie beaufsichtigt oder bezüglich des sicheren Gebrauchs des Gerätes unterwiesen wurden und die daraus resultierenden Gefahren verstehen. Die Reinigung darf von diesen Personen nicht ohne Beaufsichtigung durchgeführt werden. Kinder dürfen nicht mit dem Gerät spielen.

Das Gerät arbeitet zwar nicht mit scharfen Messerklingen, aber dennoch ist eine Verletzung auf Grund hoher Drehzahlen der Mahlwerkzeuge nicht auszuschließen, wenn Personen sehr tief in das laufende Gerät hineinfassen.

Greifen Sie nicht mit Ihren Fingern in das Gerät während es in Betrieb ist und stecken Sie keine langen Gegenstände in die Mahlkammer.

Ziehen Sie immer den Netzstecker, bevor Sie das Innere der Mahlkammer manuell reinigen oder Fremdkörper aus der Mahlkammer entfernen.



VORSICHT – Sachschaden

Das Gerät ist vom Nutzer vor Frost zu schützen.



WARNUNG – Sachschaden

Unbemerkt austretendes Abwasser kann zu Sachschäden führen.

Überprüfen Sie regelmäßig die Schlauch-, Rohr- und Beckenverbindungen auf undichte Stellen.



GEFAHR – Stromschlag

Achtung: Spannungsführende Teile! Elektrische Komponenten des Geräts und der Schaltbox dürfen keinesfalls geöffnet werden!

INSTALLATION

3. Sicherheit

a. Allgemeine Sicherheitshinweise

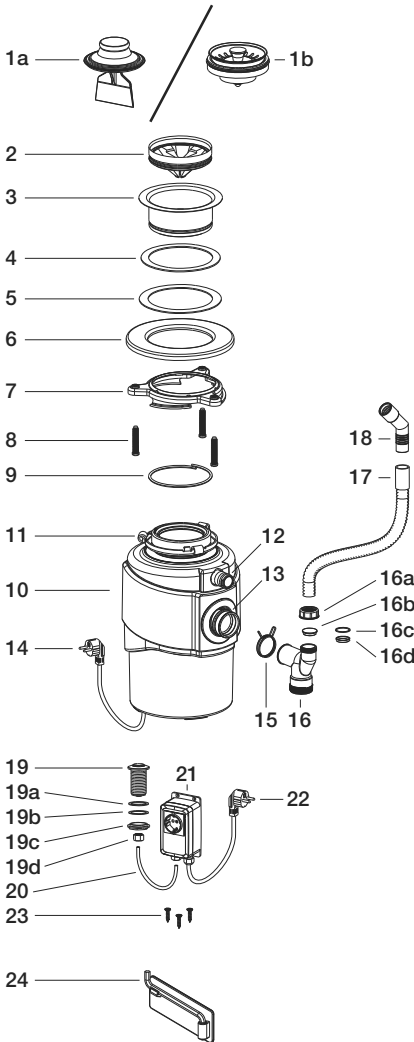
Die Installation, Inbetriebnahme und Reparatur des Geräts darf nur von einem Fachhandwerker / einer qualifizierten Fachkraft durchgeführt werden.

Das Gerät ist wie in dieser Anleitung beschrieben einzubauen. Hierzu dürfen nur zugelassene Originalteile und originale Zubehöerteile benutzt werden, die Sie bei BLANCO (Kontaktmöglichkeiten siehe Abschnitt 1.a.) oder Ihrem Vertragspartner / Fachhändler erhalten.

b. Vorschriften, Normen und Bestimmungen

Bitte prüfen Sie vor der Installation und Inbetriebnahme, ob der Gebrauch des Geräts behördlich in ihrer Region zugelassen ist. Es sind die nationalen und regionalen Vorschriften des örtlichen Abwasserunternehmens zu beachten. Beachten Sie bitte auch die bautechnischen Gebäude Richtlinien.

4. Lieferumfang / Komponenten



TEILE AM BECKEN

- 1a. Beckenverschluss (BLANCO FWD Lite)
- 1b. Siebkorb (BLANCO FWD Medium, Max)
- 2. Spritzschutz
- 3. Beckenflansch
- 4. Gummidichtung oben
- 5. Dichtung unten
- 6. Sicherungsring
- 7. Haltering
- 8. Schrauben Haltering (3)
- 9. Sprengring

ABFALLZERKLEINERER

- 10. Gerät (BLANCO FWD Lite, Medium oder Max)
- 11. Unterer Haltering
- 12. Spülmaschinenanschluss
- 13. Auslassöffnung
- 14. Gerätestecker

ABFLUSS

- 15. Schlauchklemme
- 16. Bogenabflussrohr
- 16a. Überlaufmutter
- 16b. Blindstopfen
- 16c. Gleitring
- 16d. Überlaufdichtung
- 17. Überlaufschlauch
- 18. Überlaufadapter

SCHALTBAUGRUPPE

- 19. Druckluftschalter / Air switch
- 19a. Gummidichtung Air switch
- 19b. Gleitring Air switch
- 19c. Befestigungsmutter Air switch
- 19d. Schlauchmutter Air switch
- 20. Druckluftschlauch
- 21. Schaltbox
- 22. Netzstecker
- 23. Schrauben (3)

ZUBEHÖR / WERKZEUG

- 24. Sechskantschlüssel

5. Vorbereitungen

a. Auspacken und Kontrolle der Komponenten

Grundgerät und alle Zubehörteile aus der Verpackung nehmen und Verpackungsmaterial entfernen/recyclen.



WARNUNG – Verletzungsgefahr

WARNUNG – Warnung vor elektrischer Spannung

Ein beschädigtes Gerät darf nie in Betrieb genommen werden!

Bevor das neue Gerät eingebaut wird, alle Teile auf Vollständigkeit und sichtbare Schäden prüfen.



GEFAHR – Erstickungsgefahr

Folienverpackungen sind von Kindern fernzuhalten.

b. Montageort

Das Gerät ist zum Betrieb in einem geschlossenen Raum (üblicherweise Küche) an einer Spüle konzipiert. Die Umgebungstemperatur muss zwischen 10 °C und 43 °C betragen. Die Installation darf somit nur in einem frostfreien Raum erfolgen. Eine direkte Sonneneinstrahlung ist zu verhindern.

c. Elektroanschluss



WARNUNG – Warnung vor elektrischer Spannung

Führen Sie alle elektrischen Anschluss- und Installationsarbeiten nach Vorschrift aus.

In unmittelbarer Nähe des Geräts muss sich eine Steckdose befinden. Das Anschlusskabel mit Stecker ist für eine Schutzkontakt-Steckdose vorgesehen. Diese muss nach der Installation des Geräts frei zugänglich sein. Ein Anschluss mit direkter (festverlegter) Elektroleitung an das Stromnetz ist nicht zulässig.

Verwenden Sie keine Mehrfachsteckdosen oder Verlängerungskabel.

Das Gerät darf nur an einer Steckdose mit Schutzkontakt und Fehlerstromschutzschaltung (FI-Sicherung) angeschlossen werden, die mit mindestens 12 Ampere abgesichert ist und eine dauerhafte Spannungsversorgung von 230 V ~ / 50 Hz bereit stellt.

d. Küchenspüle

Für die Montage an eine Küchenspüle gilt es zu beachten:

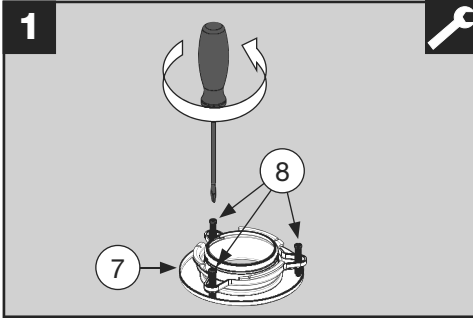
1. Durchmesser im Spülenauslauf: 3 ½"
2. Materialstärke des Beckens: max. 18 mm
3. Der Anschluss des Abwassers darf nicht höher liegen als die Abflussöffnung des Geräts.

e. Benötigte Werkzeuge und Materialien

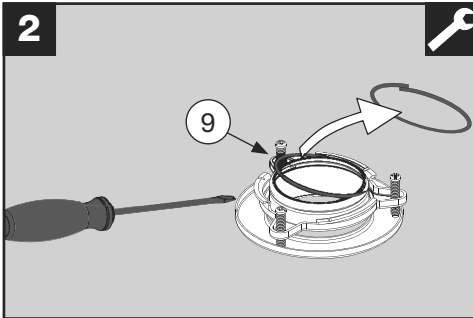
Für den Einbau des Geräts benötigen Sie:

- Sechskantschlüssel (im Lieferumfang enthalten)
- Schlitz-Schraubendreher
- Kreuzschlitz-Schraubendreher PZ 2
- Schutzbrille
- Schnitenschutzhandschuhe
- Cutter-Messer
- Optional: Hammer (nur beim Anschluss der Spülmaschine an das Gerät)

6. Montage



Lösen Sie die drei Schrauben (8) des Halterings (7), drehen Sie diese jedoch nicht vollständig heraus.



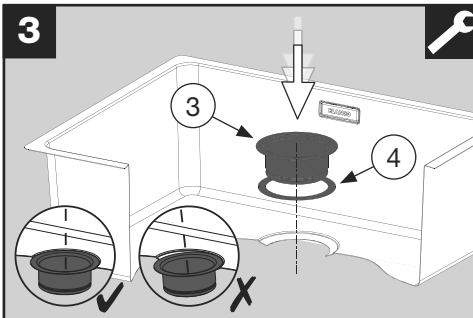
Hebeln Sie den Sprengring (9) mit einem langen Schlitzschraubendreher ab und legen Sie ihn zur Seite.



WARNUNG - Verletzungsgefahr

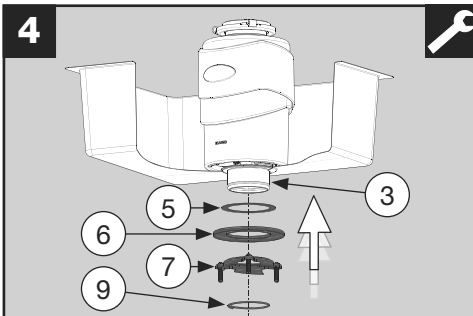


Bei Arbeiten am Sprengring Handschuhe und Schutzbrille tragen.



Hängen Sie den Beckenflansch (3) zusammen mit der Gummidichtung oben (4) in die Ablauföffnung des Beckens ein. Achten Sie auf eine mittige Ausrichtung.

Beschweren Sie den Beckenflansch von oben mit dem Gerät, um die folgenden Montageschritte zu vereinfachen. Nutzen Sie gegebenenfalls eine Unterlage im Spülbecken, um ein Verkratzen der Spüle zu verhindern.



Schieben Sie die untere Dichtung (5), den Sicherungsring (6) und den Haltering (7) von unten auf den Beckenflansch und drücken Sie den Sprengring (9) in die Nut des Beckenflanschs (3).



WARNUNG - Verletzungsgefahr

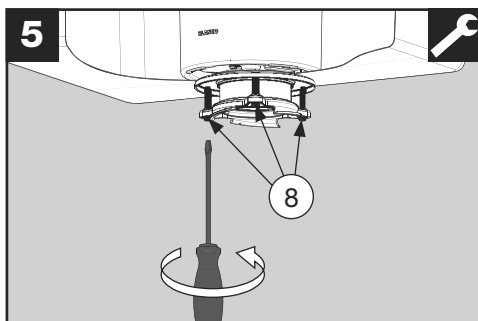


Bei Arbeiten am Sprengring Handschuhe und Schutzbrille tragen.

! VORSICHT – Sachschaden

Der montierte Geräteflansch muss im Spülbecken gut abdichten. Es besteht sonst die Gefahr, dass bei Undichtigkeiten Wasser aus dem Spülbecken am Gerät herunterläuft, in den Motor eindringt und diesen beschädigt.

Falls dies auf Grund der Beckenbeschaffenheit mit dem beiliegenden Zubehör nicht möglich ist, verwenden Sie für Ihr Spülbecken geeignetes Dichtungsmaterial (z.B. original BLANCO Artikelnummer 214778 – Dichtmasse Keramikspülen oder original BLANCO Artikelnummer 120055 – Flexibles Dichtungsband).

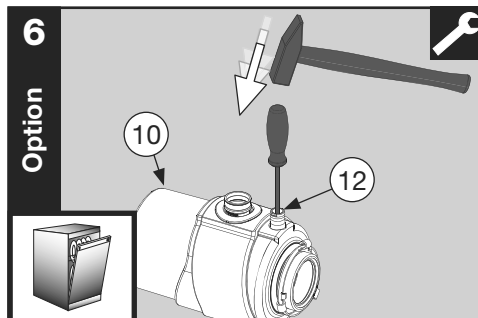


Ziehen Sie die drei Schrauben des Halterings (8) gleichmäßig an.

! VORSICHT – Sachschaden

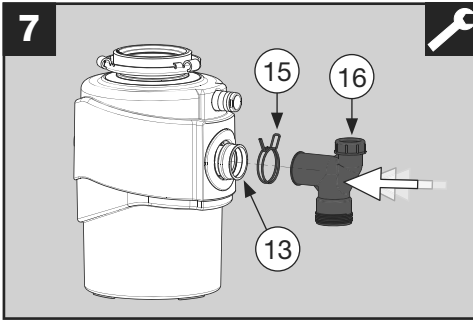
Lange stehendes Wasser kann in den Motor eindringen und zu Schäden führen. Motorschäden, die aus den hier beschriebenen Ursachen resultieren, unterliegen nicht der Gewährleistung!

Achten Sie bei der Montage darauf, dass durch eine saubere Ausrichtung des Geräts kein Wasser in der Mahlkammer stehen bleibt. Bitte beachten Sie, dass auch kein Wasser unter der Mahlscheibe stehen bleibt. Der Abwasserrohrwinkel des Geräts muss senkrecht nach unten montiert werden und der Wandablauf muss tiefer liegen als der Geräteablauf.

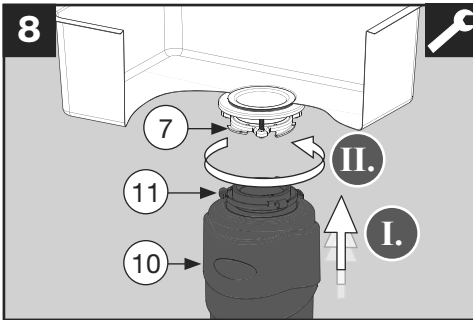


Optional (nur falls der Abfluss der Spülmaschine am Gerät angeschlossen werden soll):

Legen Sie das Gerät (10) so auf eine feste Unterlage, dass der Spülmaschinenanschluss (12) nach oben gerichtet ist, und führen Sie einen Schlitzschraubendreher in den versiegelten Spülmaschinenanschluss (12) ein. Schlagen Sie nun mit einem Hammer auf den Schraubendreher, um die Versiegelung herauszubrechen. Entfernen Sie die Kunststoffteile anschließend aus dem Innenraum des Geräts (10).

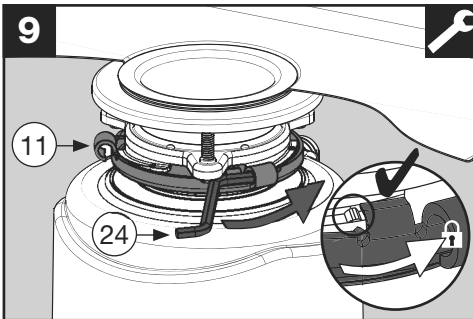


Verbinden Sie das Bogenabflussrohr (16) mit dem Anti-Vibrationsauslass der Auslassöffnung (13) und sichern dieses mit der Schlauchklemme (15).

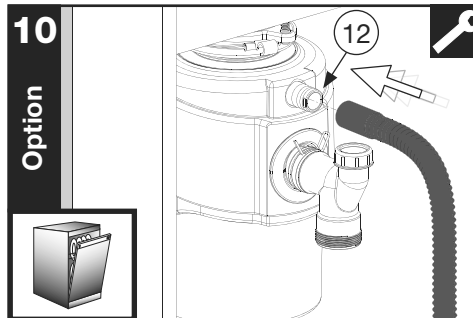


Schieben Sie das Gerät (10) von unten gegen den Beckenflansch (3) und drehen Sie die Laschen des unteren Halterings (11) lose über den Haltering (7).

Hinweis: Das Gerät ist schwer. Lassen Sie sich bei Bedarf von einer zweiten Person beim Anbauen an die Spüle helfen.

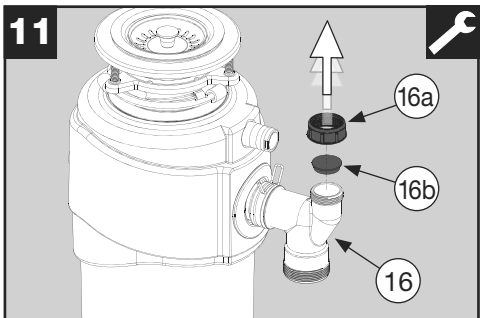


Nutzen Sie den beiliegenden Sechskantschlüssel (24) als Hebel und ziehen Sie damit den unteren Haltering (11) wie abgebildet fest. Sie haben die Endlage erreicht, wenn die Laschen des unteren Halterings (11) über die Höcker des Halterings (7) reichen. Bitte beachten Sie hierbei die Ausrichtung der Auslassöffnung (13) für die weitere Montage. Stecken Sie den Sechskantschlüssel (24) wieder zurück in die Halterung und befestigen Sie diese mit dem rückseitigen Klebeband in der Nähe des Gerätes. Der Schlüssel wird im Problemfall als Werkzeug benötigt.

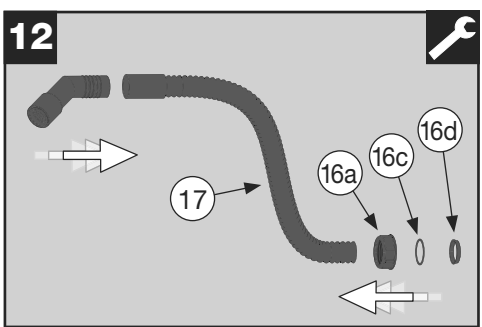


Optional (nur falls der Abfluss der Spülmaschine am Gerät angeschlossen werden soll):

Abfluss-Schlauch der Spülmaschine am Spülmaschinenanschluss (12) fest einstecken. Wir empfehlen eine Sicherung mittels Federklemme.



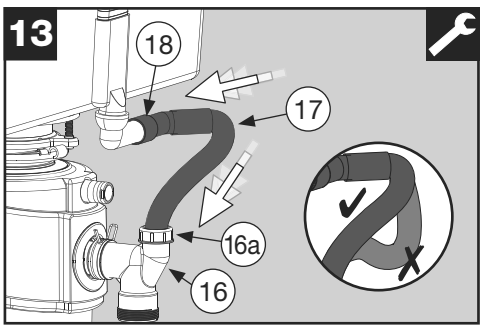
Entfernen Sie den Blindstopfen (16b) des Bogenabflussrohrs (16) indem Sie die Überlaufmutter (16a) lösen.



Bestimmen Sie die benötigte Länge des Überlaufschlauchs (17) und kürzen diesen bei Bedarf.

⚠️ WARNUNG - Verletzungsgefahr
 Beim Kürzen der Rohre mit dem Cuttermesser Schnittschutzhandschuhe verwenden.

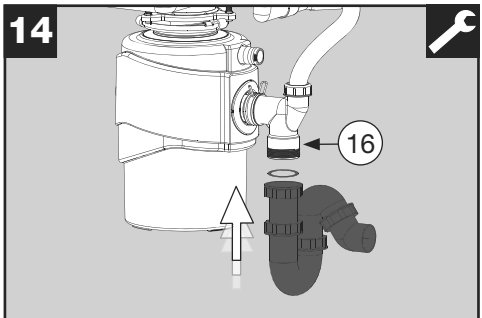
Schieben Sie die Überlaufmutter (16a), den Gleitring (16c) und die Überlaufdichtung (16d) über das Ende.



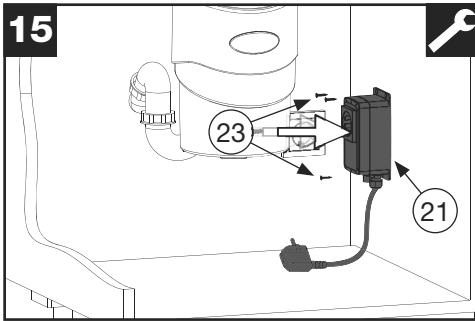
Schieben Sie den Überlaufadapter (18) auf den Überlauf ihrer Spüle (bis zum Anschlag).

Führen Sie das freie Ende des Überlaufschlauchs (17) in die Überlauföffnung des Bogenabflussrohrs (16) und drehen die Überlaufmutter (16a) fest auf das Gewinde.

Der Überlaufschlauch darf nicht durchhängen!

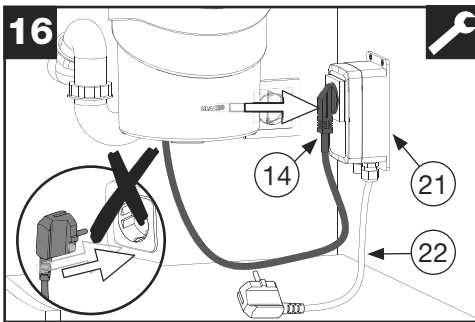


Schließen Sie Ihren Geruchverschluss/Siphon (nicht im Lieferumfang enthalten) an den unteren Abgang des Bogenabflussrohrs (16) und an Ihren Haus-Abwasser-Anschluss an.



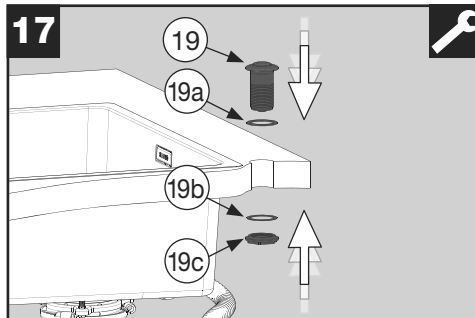
Montieren Sie die Schaltbox (21) mit drei Schrauben (23) in Reichweite einer Steckdose wie abgebildet an die Seitenwand des Unterschranks.

Achten Sie darauf, dass die Kabel und Leitungen von unten in die Schaltbox führen.



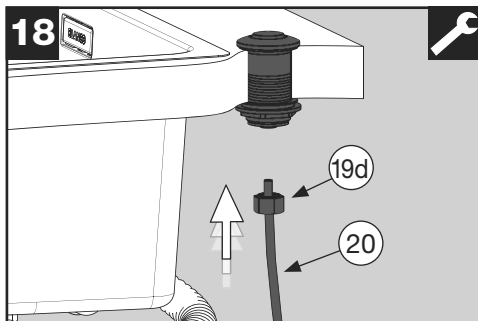
Schließen Sie den Gerätestecker (14) an der Schaltbox (21) an, verbinden Sie den Netzstecker (22) selbst jedoch noch nicht mit der Steckdose.

! VORSICHT – Sachschaden | WARNUNG – Warnung vor elektrischer Spannung
 Kabel und Leitungen müssen so verlegt werden, dass es zu keinen Beschädigungen kommen kann. Ist ein Kabel, ein Stecker, die Schaltbox, der Druckluftschalter / Air switch oder dessen Leitung beschädigt, kontaktieren Sie den BLANCO Kundendienst (Kontaktmöglichkeiten siehe Abschnitt 1.a.) oder Ihren Vertragspartner / Fachhändler.



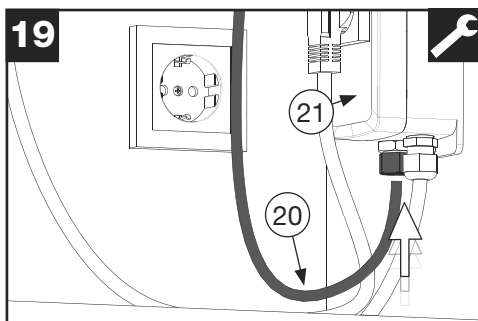
Entfernen Sie die Befestigungsmutter (19c) und den Gleitring (19b) des Druckluftschalters / Air switch.

Schrauben Sie den Druckluftschalter / Air switch (19) in die vorhandene Hahnlochbohrung ihrer Spüle oder der Arbeitsplatte oder setzen Sie eine neue Bohrung mit einem Durchmesser von Ø 35 mm. Beachten Sie hierbei den korrekten Sitz der Gummidichtung (19a).

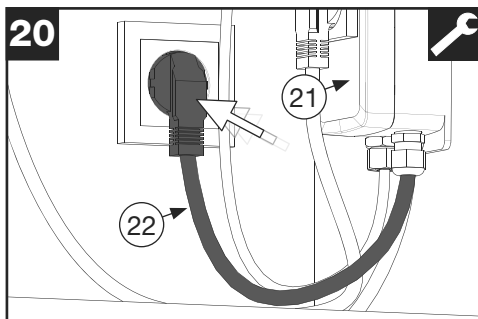


Lösen Sie die Schlauchmutter (19d) des Druckluftschalters / Air switch. Schieben Sie die Mutter auf den Druckluftschlauch (20).

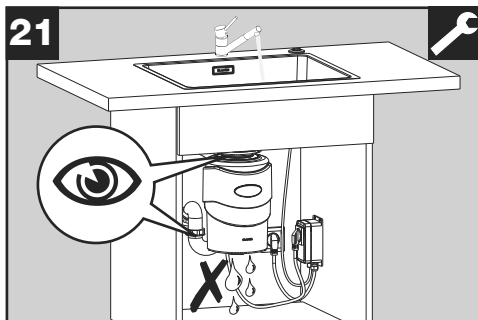
Schließen Sie den Druckluftschlauch (20) von unten an den Druckluftschalter / Air switch (19) an und sichern Sie ihn mit der Schlauchmutter (19d) gegen Herausrutschen.



Verbinden Sie das andere Ende des Druckluftschlauchs (20) mit der Schaltbox (21) und sichern Sie den Schlauch wie in Schritt 18 beschrieben mit der Schlauchmutter.



Stecken Sie nun den Netzstecker (22) der Schaltbox (21) in die Steckdose.



Nehmen Sie das Gerät in Betrieb wie im folgenden Kapitel „Erstinbetriebnahme“ beschrieben. Überprüfen Sie am Ende nochmals alle Schlauch- und Rohrverbindungen und den Ablauf der Spüle auf undichte Stellen.

7. Erstinbetriebnahme



GEFAHR – Stromschlag, Sachschaden, Verletzungsgefahr

Die Erstinbetriebnahme darf nur durch einen Fachhandwerker unter Beachtung der Sicherheitsvorschriften erfolgen.

- Prüfen Sie die korrekte Arbeitsweise des Geräts. Beachten Sie dabei den Abschnitt 8 dieser Anleitung „Gerätebeschreibung und Bedienung“.
- In der Mahlkammer des Geräts darf kein Wasser stehen bleiben. Achten Sie auf einen korrekten Wasserabfluss.
- Übergabe des Systems:
 - Erklären Sie dem Benutzer die Funktion des Geräts. Machen Sie ihn mit dem Gebrauch vertraut.
 - Weisen Sie den Benutzer auf mögliche Gefahren hin, speziell die Verletzungsgefahren bei der Bedienung oder der Reinigung des Geräts.
 - Übergeben Sie diese Anleitung.
- Überprüfen Sie alle Schlauch-, Rohr- und Beckenverbindungen auf undichte Stellen.

BEDIENUNG

8. Gerätebeschreibung und Bedienung

Der Abfallzerkleinerer (im Folgenden „das Gerät“) zerkleinert organische Küchenabfälle wie Zubereitungs- oder Essensreste und führt diese Abfälle über den Abfluss in den Abwasserkanal.

Das Gerät darf nicht für andere Zwecke (beispielsweise zum Waschen von Haaren, Kleidern oder Haustieren) verwendet werden. Eine andere oder darüberhinausgehende Verwendung gilt als nicht bestimmungsgemäß. Zum bestimmungsgemäßen Gebrauch gehört auch das Beachten dieser Anleitung. Fahrlässige Nutzung, unsachgemäße Handhabung, das Öffnen des Gerätes sowie die Nichtbeachtung der Vorgaben in der Gebrauchsanleitung führen zudem zum Ausschluss von der Gewährleistung.

1. Entnehmen Sie das Siebkörbchen (Modelle Max oder Medium) oder den Beckenverschluss (Modell Lite) aus dem Beckenabfluss.
2. Lassen Sie kaltes Wasser laufen (mittlere Stärke).
3. Schalten Sie das Gerät ein, indem Sie den Druckluftschalter / Air switch betätigen.
4. Geben Sie bei laufendem Gerät und laufendem Wasser kleine portionierte Mengen Ihrer Speiseabfälle in die Abflussöffnung.



WARNUNG – Verletzung

Evtl. müssen Sie größere Speisereste durch die Gummimanschette in die Mahlkammer drücken.

Greifen Sie dabei nicht mit Ihren Fingern in die Mahlkammer des Geräts. Stecken Sie auch keine langen Gegenstände (z.B. Kochlöffel) in die Mahlkammer.

5. Warten Sie bis das Gerät alle Speiseabfälle zerkleinert hat. Der Mahlvorgang ist abgeschlossen, wenn das Mahlgeräusch verschwunden ist, und Sie nur noch das Motorgeschall und fließendes Wasser hören.
6. Lassen Sie das Gerät und das Wasser noch einige Sekunden laufen, um nachzuspülen.
7. Betätigen Sie nun den Druckluftschalter / Air switch erneut, um das Gerät abzuschalten, und stellen Sie das Wasser ab.
8. Setzen Sie den Beckenverschluss (1a) oder den Siebkorb (1b) wieder in den Abfluss. So vermeiden Sie, dass Gegenstände ungewollt in das Gerät fallen.



Position des Reset-Schalters

Bei bestimmungsgemäßem Gebrauch kann das Abflussrohr nicht verstopfen. Die Küchenabfälle werden sehr fein zermahlen, bevor sie ins Abwassernetz gelangen. Der Ablauf von heißem und kaltem Wasser ist auch bei ausgeschaltetem Gerät stets gewährleistet.

Bei zu großer Erwärmung (z.B. durch lange Benutzung) schützt ein Motorschutzschalter das Gerät vor Beschädigungen. Lassen Sie das Gerät dann einige Zeit abkühlen. Betätigen Sie erst dann unten am Motor den Reset-Schalter. Halten Sie den Bereich unter dem Gerät frei, um einen guten Zugang zum Reset-Schalter zu ermöglichen.

! WARNUNG – Verletzung
 Verhindern Sie, dass Speisereste beim Zerkleinern aus dem Zerkleinerer herausgeschleudert werden und diese Sie verletzen. Verwenden Sie das Gerät niemals ohne den Spritzschutz (Pos. 2). Diese muss vor der Inbetriebnahme immer in der Beckenöffnung eingesetzt sein. Stecken Sie auch keine langen Gegenstände (z.B. Kochlöffel) in die Mahlkammer.

! GEFAHR – Verletzung, Sachschaden
 Vermeiden Sie, die folgenden Dinge zum Zerkleinern in das Gerät einzuführen:

- Langfaserige Lebensmittel (z.B. Artischocke)
- extrem harte, große Gegenstände (z.B. Muschel- oder Austernschalen, große Knochen)

Die folgenden Dinge dürfen keinesfalls zum Zerkleinern in das Gerät eingeführt werden:

- Gartenabfälle
- jegliche nichtorganische Materialien wie z.B. Glas, Porzellan, Plastik, Metall, ätzenden Abflussreiniger oder Chemikalien wie z.B. Farben und Lacke, Öl oder heißes Fett.

! GEFAHR – Verletzung, Sachschaden
 Lagern oder benutzen Sie keine brennbaren Gegenstände wie Lappen, Papier oder Spraydosen, kein Benzin oder andere brennbaren Dämpfe und Flüssigkeiten in der Nähe des Geräts.

9. Problembehebung

Lässt sich das Gerät nicht ein-/ausschalten oder treten andere Probleme auf, so haben wir für Sie hier einige Hinweise zur Fehlersuche und -Behebung aufgeführt. Führt diese Fehlersuche nicht zum Erfolg, starten Sie bitte keine eigenen Reparaturversuche, sondern kontaktieren Sie den BLANCO Kundendienst (Kontaktmöglichkeiten siehe Abschnitt 1.a.) oder Ihren Vertragspartner / Fachhändler.

Problem	Gerät lässt sich nicht einschalten
Ursache	Blockierung
Behebung	Langfaserige Lebensmittel haben sich in der Mahlkammer festgesetzt oder extrem harte / große Gegenstände haben das Mahlwerk blockiert. Dadurch hat sich der Motor zu stark erwärmt und sich automatisch abgeschaltet. 1. Schalten Sie das Gerät ab. 2. Ziehen Sie den Netzstecker aus der Steckdose.

! GEFAHR – Verletzung, Sachschaden
 Das Gerät muss vom Stromnetz getrennt sein, wenn Sie den inneren Bereich des Gerätes reinigen oder eine Blockade in der Mahlkammer lösen möchten.

3. Stecken Sie den mitgelieferten Sechskantschlüssel in das mittlere Loch an der Unterseite des Gerätes. Drehen Sie den Sechskantschlüssel solange hin und her, bis Sie eine ganze Umdrehung schaffen. Anschließend entfernen Sie den Sechskantschlüssel.



! GEFAHR – Verletzung, Sachschaden
 Der Sechskantschlüssel darf nicht mehr unten im Gerät eingesteckt sein, wenn Sie das Gerät wieder in Betrieb nehmen.

4. Entfernen Sie vorsichtig den Fremdkörper aus der Mahlkammer. Hilfsmittel können zum Beispiel eine Zange oder ein Schraubendreher mit langem Griff sein.

5. Stecken Sie den Netzstecker wieder in die Steckdose.

6. Lassen Sie den Motor ca. 10 Minuten abkühlen und betätigen Sie dann den Überlastschutz einmal (rote Reset-Taste auf der Unterseite des Geräts).

Hinweis: Das Modell BLANCO FWD Max verfügt über eine Auto-Reverse Funktion. Das bedeutet, dass beim Festsetzen eines Fremdkörpers die Mal-scheiben in gegengesetzter Richtung drehen, so dass der Fremdkörper sich selbständig lösen kann. Sollte es dennoch zu einer Blockierung kommen, befolgen Sie die Schritte wie oben beschrieben.

Ursache Gerät überhitzt
Behebung Bei zu großer Erwärmung (z.B. durch lange Benutzung) schützt ein Motorschutzschalter das Gerät vor Beschädigungen. Lassen Sie den Motor ca. 10 Minuten abkühlen und betätigen Sie dann den Überlastschutz einmal (rote Reset-Taste auf der Unterseite des Geräts).

Ursache Gerät erhält kein Signal von der Schaltbox
Behebung Prüfen Sie den Schlauch vom Druckluftschalter (Air switch) zur Schaltbox und alle Kabel auf Beschädigungen. Prüfen Sie ob alle Kabel richtig verbunden sind. Funktioniert das Gerät, wenn Sie die Leitung, die zum Motor führt, kurzzeitig direkt mit der Steckdose des Hausanschlusses verbinden?
 Wenn nicht: Betätigen Sie den Überlastschutz einmal (rote Reset-Taste auf der Unterseite des Geräts) und versuchen Sie es erneut. Prüfen Sie, ob die Stromversorgung an der Steckdose des Hausanschlusses funktioniert, indem Sie kurzzeitig ein anderes Gerät dort einstecken und testen. Unter Umständen ist der Druckluftschalter / Air switch defekt. Bitte kontaktieren Sie den BLANCO Kundendienst (Kontaktmöglichkeiten siehe Abschnitt 1.a.) oder Ihren Vertragspartner / Fachhändler.

Problem	Schlechte Gerüche aus dem Abfluss
Ursache	Verschmutzung
Behebung	Siehe Kapitel Reinigung & Pflege.

Problem	Ungewöhnliche Geräusche
Ursache	Fremdkörper in der Mahlkammer
Behebung	Je nachdem welche Küchenabfälle zerkleinert werden, kann dies zu ungewöhnlichen oder lauten Geräuschen führen. Je härter die Abfälle desto lauter ist das Gerät. Ein weiterer Grund kann auch ein Fremdkörper sein, der in der Mahlkammer feststeckt. Entfernen Sie diesen Fremdkörper wie im Kapitel Reinigung & Pflege beschrieben.
Ursache	Verschleiß
Behebung	Intensive Nutzung des Geräts kann mit der Zeit zum Verschleiß der Mahlwerkzeuge, Motorwellenlager oder anderen Produktteilen führen. Bitte kontaktieren Sie den BLANCO Kundendienst (Kontaktmöglichkeiten siehe Abschnitt 1.a.) oder Ihren Vertragspartner / Fachhändler.

REINIGUNG & PFLEGE

10. Reinigung & Pflege

Das Gerät muss nicht gewartet werden und ist nahezu selbstreinigend. Dennoch können sich mit der Zeit Speisereste in der Mahlkammer und an der Gummi-Schutzmanschette ansammeln. Dadurch können auch Gerüche entstehen, die eine Reinigung der Gummimanschette und /oder Mahlkammer erforderlich machen. Es gibt mehrere Möglichkeiten, das Gerät zu reinigen und Gerüchen entgegenzuwirken:

a. Einfache und schnelle Reinigung:

Lassen Sie zwischen den einzelnen Mahlvorgängen immer wieder auch heißes Wasser durch das Gerät fließen. Bei Bedarf können Sie dem heißen Wasser etwas Spülmittel hinzufügen. Der Zerkleinerer sollte dabei nicht lange in Betrieb sein, da es sonst zu einer Überhitzung kommen könnte und das Gerät dann automatisch abschaltet.

b. Schnelle Reinigung der Mahlkammer:

Geben Sie Eiswürfel in die Mahlkammer und schalten Sie das Gerät ein. Die Eiswürfel werden zerkleinert und reinigen ohne großen Aufwand die Mahlkammer schnell und effektiv, ohne etwas zu beschädigen.

c. Intensive Reinigung der Mahlkammer:

Befüllen Sie die Mahlkammer des Geräts zusätzlich zu den Eiswürfeln auch mit Zitronen-, Limetten- oder Orangenstückchen und schalten Sie das Gerät kurz ein, sodass die Eiswürfel samt den Zitrusfrüchten etwas zerkleinert werden. Die Eiswürfel reinigen die Mahlkammer, und die Zitronensäure beseitigt den schlechten Geruch und vermindert Kalkablagerungen. Lassen Sie das Gerät mit den zum Teil zerkleinerten Stückchen für ca. 30 min in diesem Zustand, bevor Sie das Gerät wieder verwenden. So kann die Zitronensäure gut einwirken.

d. Manuelle Reinigung des Spritzschutzes (2) und der Mahlkammer:

Trennen Sie die Stromversorgung, indem Sie den Stecker aus der Steckdose ziehen. Ziehen Sie vorsichtig die Gummimanschette aus der Beckenöffnung heraus und reinigen Sie die Gummimanschette sowie die Mahlkammer z.B. mit einer Bürste. Anschließend setzen Sie die Gummimanschette wieder in die Beckenöffnung und verschließen diese. Füllen Sie das Becken mit warmem Wasser halb voll. Sie können entweder einige Tropfen Spülmittel begeben oder einen Teelöffel Backpulver (Natriumbikarbonat) im Wasser auflösen. Stellen Sie die Stromversorgung wieder her und schalten Sie das Gerät ein. Entfernen Sie nun den Verschluss im Becken. Das warme Wasser reinigt und spült die Mahlkammer.



GEFAHR – Verletzung, Sachschaden

Das Gerät muss vom Stromnetz getrennt sein, wenn Sie den inneren Bereich des Gerätes reinigen möchten.

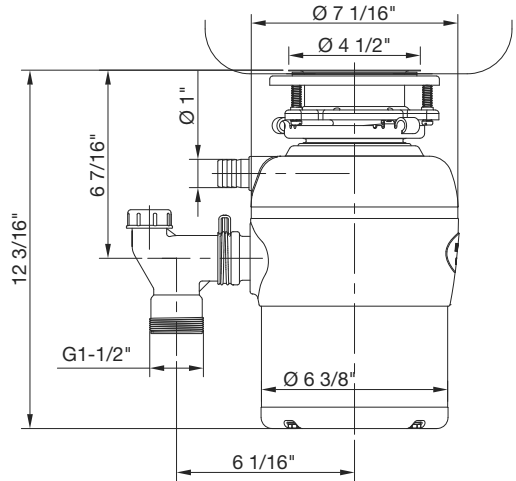
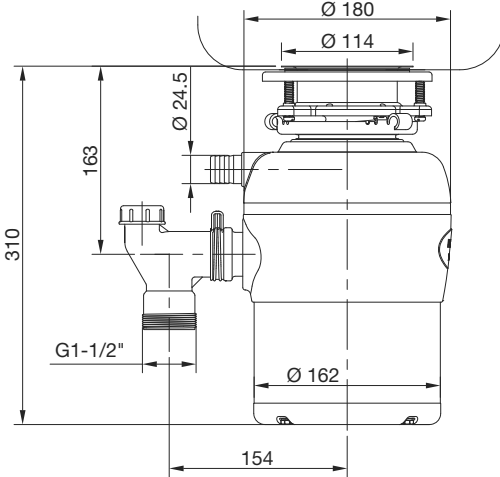
e. Reinigung des Verschlusses:

Sowohl der Beckenverschluss (1a - Modell Lite) als auch der Siebkorb (1b - Modelle Medium und Max) sind spülmaschinentauglich.

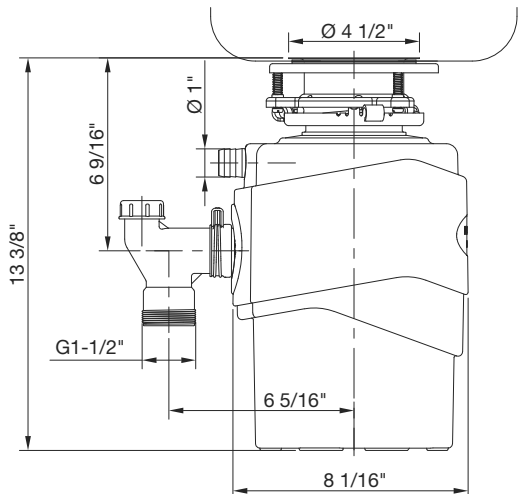
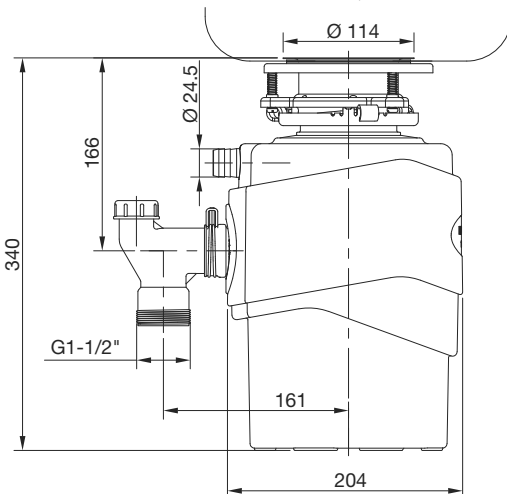
TECHNISCHE DATEN

11. Maße und Anschlüsse

BLANCO FWD Lite:



BLANCO FWD Medium, BLANCO FWD Max:



12. Datentabelle

	BLANCO FWD Lite	BLANCO FWD Medium	BLANCO FWD Max
Spannung	230 V ~ / 50 Hz	230 V ~ / 50 Hz	230 V ~ / 50 Hz
Motortyp	AC	AC	AC
Leistung	0,5 PS / 370 W / 10 A	0,75 PS / 560 W / 10 A	1,0 PS / 750 W / 12 A
Umdrehungen	1.470 U/min	1.470 U/min	1.470 U/min
Mahlstufen	2	3	3
Mahlkammervolumen	900 ml	1.200 ml	1.200 ml
Gewicht	7,4 kg / 16,3 lb	10,2 kg / 22,5 lb	10,6 kg / 23,4 lb
Automatische Abschaltung nach	~ 25 min	~ 25 min	~ 15 min

GEWÄHRLEISTUNG

Für dieses Gerät gilt die gesetzliche Gewährleistung des jeweiligen Landes, in dem das Gerät gekauft wurde. Für die Inanspruchnahme Gewährleistungen ist in jedem Fall die Vorlage des Kaufbeleges erforderlich. Änderungen vorbehalten.

UMWELT & RECYCLING

Entsorgung von Transport- und Verkaufsverpackungsmaterial

Damit Ihr Gerät unbeschädigt bei Ihnen ankommt, haben wir es sorgfältig verpackt. Bitte helfen Sie, die Umwelt zu schützen, und entsorgen Sie das Verpackungsmaterial des Gerätes sachgerecht. Wir beteiligen uns gemeinsam mit dem Großhandel und dem Fachhandel / Fachhandel an einem wirksamen Rücknahme- und Entsorgungskonzept für die umweltschonende Aufarbeitung der Verpackungen. Überlassen Sie die Transportverpackung dem Fachhandwerker beziehungsweise dem Fachhandel.

Entsorgung von Altgeräten



Geräteentsorgung

Die mit diesem Symbol gekennzeichneten Geräte dürfen nicht mit dem Hausmüll entsorgt werden. Entsorgen Sie dieses Gerät fach- und sachgerecht nach den örtlich geltenden Vorschriften und Gesetzen.

Als Hersteller sorgen wir im Rahmen der Produktverantwortung für eine umweltgerechte Behandlung und Verwertung der Altgeräte. Weitere Informationen zur Sammlung und Entsorgung erhalten Sie über Ihre Kommune oder Ihren Fachhandwerker / Fachhändler.

Bereits bei der Entwicklung neuer Geräte achten wir auf eine hohe Recyclingfähigkeit der Materialien. Über das Rücknahmesystem werden hohe Recyclingquoten der Materialien erreicht, um Deponien und die Umwelt zu entlasten. Damit leisten wir gemeinsam einen wichtigen Beitrag zum Umweltschutz.

内容	页
概述	39
1. 一般提示	39
a. 顾客服务	39
b. 关于这本手册	39
c. 安全提示与标记	39
d. 警示标志	39
e. 本手册内的其它标记	39
f. 计量单位	39
2. 安全	40
a. 符合规定的使用	40
b. 一般安全提示	40
安装	40
3. 安全	40
a. 一般安全提示	40
b. 法规、标准和规定	41
4. 产品组件	41
5. 准备工作	42
a. 拆开包装，并检查组件	42
b. 安装位置	42
c. 电气连接	42
d. 厨房水槽	42
e. 需要的工具与材料	42
6. 安装	43-48
7. 首次调试运行	49
操作	49
8. 产品说明与操作	49-50
9. 故障排除	50-52
清洁和护理	52
10. 清洁和护理	52
技术参数	53
11. 尺寸和接口	53
12. 数据表格	54
13. 产品执行标准	54
环保和回收	55
14. RoHS表格	55
质保	56
15. 保修指南	56
16. 保修说明	57
17. 保修卡	58

概述

1. 一般提示

a. 顾客服务

恭喜您购买了新的 BLANCO 产品。我们祝您享受产品带给您的优秀体验。

我们编写这份操作说明书的目的是为了让您轻松地操作铂浪高厨余垃圾处理器的舒洁款/Lite、畅洁款/Medium或尊洁款/Max。

如果仍然有疑问，请您联系我们的客服。当产品出现损坏或者磨损后，我们也十分乐意帮助您。

中国承销商、地址及联系方式：

铂浪高贸易（上海）有限公司

地址：上海市浦东新区丹桂路899号张江国创中心1号楼215室

电话：+86-21-5835 5662

邮箱：info-blancochina@blanco.de



官方微信



售后服务

b. 关于这本手册

在安装与首次调试产品之前，请您务必完整地阅读这份安装与操作说明书，并且在安装完成之后，将说明书保存好，以便日后查阅。请将本说明书转交给之后的用户。这是安全安装且顺利进行产品的前提条件。在进行下一步之前，请您仔细查看并注意遵守所有的安全与警告提示。

c. 安全与警告提示

请您遵守下列安全与警告提示。这样可以避免人员受伤和/或财产损失。



警示标志 —— 危险类型

这里表示不遵守安全提示可能造成的后果。

此处为危险预防措施。

d. 警示标志



危险

“危险”这个警示标志向您提示危险源的存在。这种危险源可能导致严重的身体伤害，甚至死亡。



警告

“警告”这个警示标志向您提示危险源的存在。这种危险源可能导致身体伤害，或者数额巨大的财产损失。



小心

“小心”这个警示标志向您提示危险源的存在。这种危险源可能导致财产损失。

e. 本手册内的其它标记



电压警告



手部受伤警告



窒息危险警告

f. 计量单位

如无其他说明，所有尺寸单位都为毫米。

2. 安全

a. 符合规定的的使用

厨余垃圾处理（下文简称为“产品”）是专门用来粉碎有机厨余垃圾（例如烹饪废料，残羹剩饭）并将这些粉碎后的厨余垃圾通过废水管道排放出去而设计的。本产品是专门针对家用条件而设计的，仅能用于私人家庭。

不允许将本产品挪作他用（例如用来洗头、洗衣服或者给宠物洗澡）。除本文上段所述之外的任何其它用途，均被视为违规使用。正确的使用也包括遵守本说明书。因疏忽大意、不正确的操作方式、擅自拆解产品或不遵守使用说明书里的规定而造成的损失，一概不在我们的质保范围内。

b. 一般安全提示



警告 —— 受伤

本产品可由年满8岁的儿童操作。身体素质、感知能力或智力轻度受损的人，或者缺少经验和知识的人，在得到监护或接受产品安全使用方面的指导，且理解了由此产生的危险以后，也可以操作本产品。在没有监护的情况下，禁止上述人员执行清洁工作。不允许把本产品当作儿童的玩具。

虽然本产品不使用锋利的刀刃，但是由于研磨系统转速较高，当身体某些部位深入正在运行的产品内部时，不排除人员受伤的可能。

产品运行时，请您千万不要把手指伸入产品内，也不要任何长物体（如筷子）插入研磨腔。

在手动清洁研磨腔之前，请您确保先拔掉电源插头，和/或移除研磨腔里的异物。



小心 —— 财物损失

用户须对本产品进行防冻保护。



警告 —— 财物损失

未被注意到的溢出的污水可能导致财物损失。

请您定期检查所有的管路连接以及水槽排水口部位的密封状态。



危险 —— 触电

注意：带电部件！任何情况下，都不允许打开产品的电气零部件和空气开关电器盒！

安装

3. 安全

a. 一般安全提示

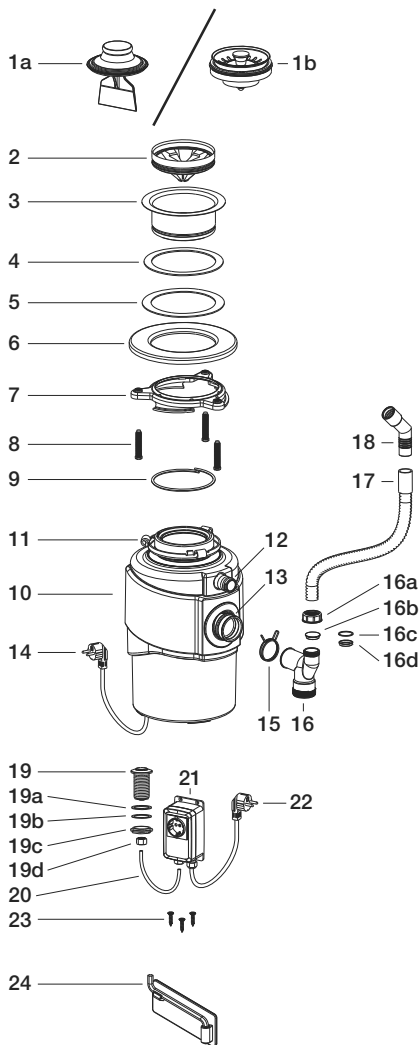
只允许专业技师/受过培训的专业人员安装、调试和维修本设备。

必须按照这份指南里的说明，正确地组装产品。为此，只允许使用得到 BLANCO 许可的原装零件与原装配件。您可以向 BLANCO 订购（联系方式请查阅第1.a节），或者向您购买本产品所在地的BLANCO专业经销商订购。。

b. 法规、标准和规定

在安装与调试之前，请您务必先确认您所在的地区允许使用本产品。您必须要遵守相关国家与地区的废水处理公司的规定。此外，请您注意遵守相关的建筑法规。

4. 产品组件



用于水槽的零件

- 1a. 水槽塞 (舒洁款/Lite)
- 1b. 滤篮式水槽塞 (畅洁款/Medium或尊洁款/Max)
2. 防溅罩
3. 水槽法兰
4. 橡胶密封垫圈 (上)
5. 橡胶密封垫圈 (下)
6. 限位环
7. 锁紧卡盘
8. 卡盘锁紧螺钉 (3件)
9. 法兰卡环

厨余垃圾处理器主机

10. 产品主机 (舒洁款/Lite、畅洁款/Medium或尊洁款/Max)
11. 连接卡盘
12. 洗碗机接口
13. 排水口
14. 产品电源插头

排放系统

15. 弹簧卡箍
16. L型排水管
- 16a. 溢流口锁紧螺母
- 16b. 溢流口密封盖
- 16c. 垫片
- 16d. 溢流口橡胶密封件
17. 溢流软管
18. 溢流软管接头

空气开关组件

19. 空气开关
- 19a. 空气开关橡胶密封垫圈
- 19b. 空气开关金属垫圈
- 19c. 空气开关锁紧螺母
- 19d. 空气软管锁紧螺母
20. 空气软管
21. 空气开关电器盒
22. 空气开关电源插头
23. 电器盒固定螺钉 (3件)

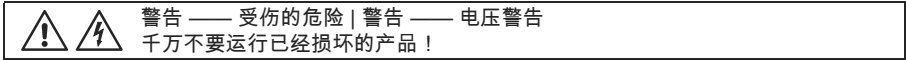
配件/工具

24. 扳手及固定板

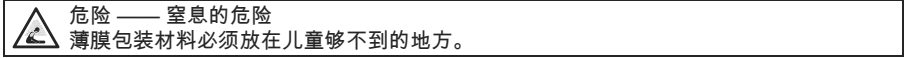
5. 准备工作

a. 拆开包装，并检查组件

将产品主机及所有配件从包装盒中取出，并丢弃/回收包装材料。



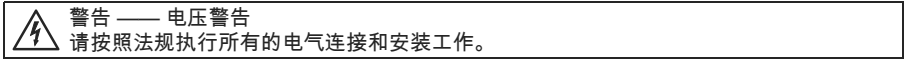
在组装产品之前，请您务必先检查所有的零件是否都完整，是否有肉眼可见的损坏。



b. 安装位置

本产品是专为安装在封闭空间内（通常是厨房）的水槽下运行而设计的。环境温度必须在 10 °C 与 43 °C 之间。仅允许将产品安装在无霜冻的房间内。必须要避免阳光直射。

c. 电气连接



产品的附近须设有一个插座，产品带有电源插头的连接线缆只能插在具备可靠接地的插座里。该插座在安装好产品之后必须可以被轻易地接触到。不允许将产品以预敷设的线缆与电网直接（固定）相连。

请您不要使用多位排插或者延长线缆。本产品只能连接到具备可靠接地的插座上，并与可长期提供 220-240V ~ / 50Hz。

d. 厨房水槽

在安装到厨房水槽上时，请您注意下列事项：

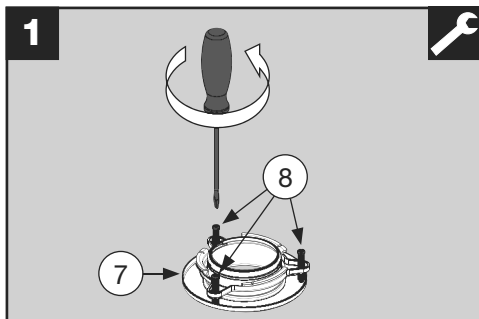
1. 厨房水槽下水口的直径：90mm
2. 水池的材料厚度：最多 18 mm
3. 厨房排水接口不得高于设备的排水口。

e. 需要的工具与材料

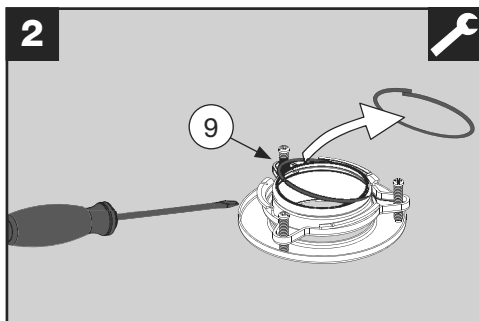
您需要以下工具来组装产品：

- 六角扳手（包括在产品附件内）
- 一字螺丝刀
- 十字螺丝刀 PZ 2
- 护目镜
- 切割防护手套
- 割刀
- 可选：锤子（仅用来将产品连接到洗碗机）

6. 安装



松开锁紧卡盘 (7) 的三枚卡盘锁紧螺钉 (8)，但请不要将它们彻底拧出。



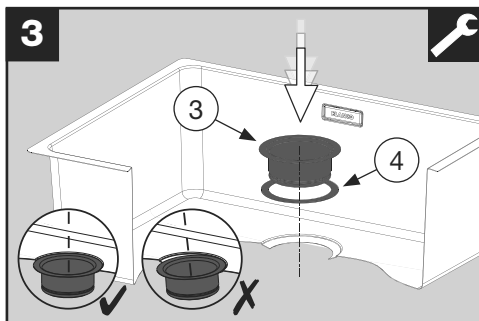
用一把长的一字螺丝刀将法兰卡环 (9) 撬起，然后将它放在旁边。



警告 —— 受伤的危險

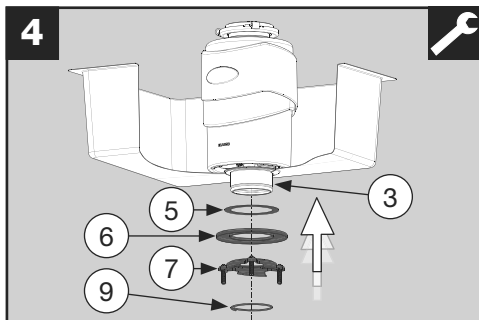


对法兰卡环进行操作时，请您戴好手套和护目镜。



将水槽法兰 (3) 与上方的橡胶密封垫圈 (4) 扣在水槽的下水口内。请注意中心对准。

可将产品放置在水槽内的水槽法兰上方为其添加重量，这样可以简化后面的安装步骤。但请注意，如有必要，请在放置产品前在水槽底部先放一张防护垫，以防止水槽表面被划伤。



将下方的橡胶密封垫圈 (5)、限位环 (6) 和锁紧卡盘 (7) 从下方推到水槽法兰上，然后将法兰卡环 (9) 安装至水槽法兰 (3) 的槽里。



警告 —— 受伤的危險



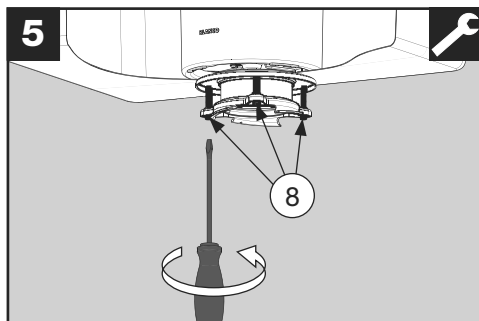
对法兰卡环进行操作时，请您戴好手套和护目镜。



小心 —— 财物损失

安装的水槽法兰必须被正确地密封在水槽上。否则，将存在水槽漏水，继而渗入产品的风险。渗入的水会流入并毁坏电机。

如果水槽及其配件无法保证这一点，那么请您使用适合您的水槽的密封材料（例如：原装的 BLANCO 密封件，货号 214778 —— 陶瓷水槽的密封剂，或者原装的 BLANCO 密封件，货号 120055 —— 柔韧密封带）。



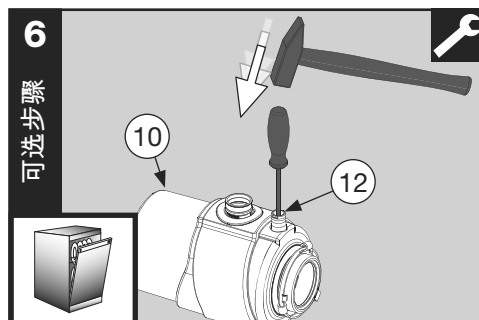
以均匀的力度，用三枚卡盘锁紧螺钉（8）将锁紧卡盘稳固固定。



小心 —— 财物损失

积水可能渗入电机，从而导致产品损坏。如果因上述原因而引起电机毁坏，不在我们质保范围之内！

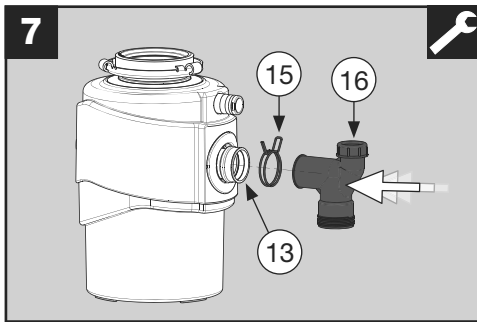
在安装时，请您注意精确地将产品与水槽下水口中心对齐，这样才能避免研磨腔内存在积水。请注意，研磨盘下方也不能存在积水。所以产品排水管角度必须垂直向下，而且墙面排水口必须低于设备排水口。



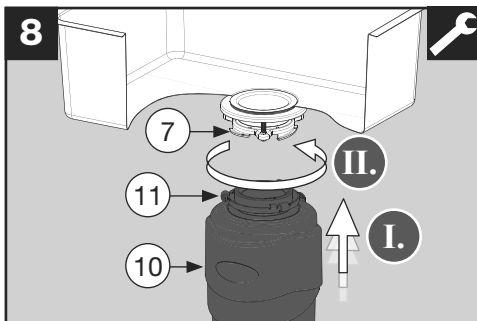
可选步骤

可选步骤（仅用于洗碗机排水口与产品相连的情况下）：

请您把产品主机（10）安放在牢固的底座上，以确保洗碗机接口（12）向上，然后将一把一字螺丝刀伸入密封的洗碗机接口（12）内，并使用一把锤子敲打螺丝刀，从而打破洗碗机接口（12）内的密封。最后，移除掉落在产品主机（10）内部的塑料密封零件或其碎片。

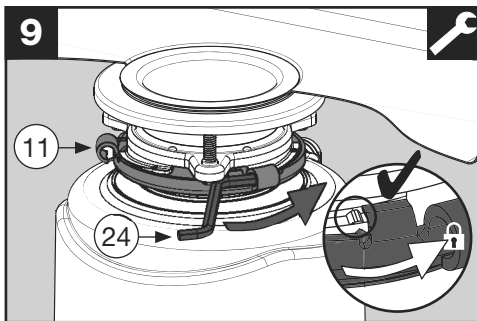


将L型排水管（16）与排水口（13）的橡胶连接件相连，然后用弹簧卡箍（15）固定。



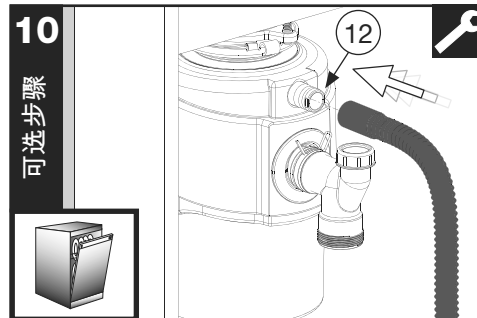
将产品主机（10）上的连接卡盘（11）的三个卡点从下方对准上方的水槽法兰（3）上锁紧卡盘（7）的三个锁紧卡位推入，然后旋转下方连接卡盘（11），令其松弛地固定于锁紧卡盘（7）上。此时，如有需要可以自由调整产品主机（10）尤其是其排水口（13）的方向，但是一定要注意避免连接卡盘（11）跟着产品主机（10）旋转并从锁紧卡盘（7）上的三个锁紧卡位中脱出，从而造成产品主机（10）掉落。

提示：产品很重。如有必要，在将产品安装到厨房水槽上时，请让另一个人帮忙。



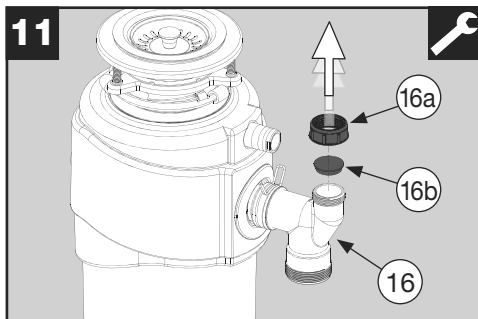
用随附的扳手（24）作为拉杆，并以如图所示的方向用它旋紧下方的连接卡盘（11）。当下方连接卡盘（11）上的三个卡点越过锁紧卡盘（7）上的三个凸起时，说明已经抵达最终位置。在继续安装之前，请您先注意检查排水口（13）的方向是否正确。

将扳手（24）重新插回固定板上，然后用固定板背胶将其固定在产品（10）附近。如果出现故障，可方便地将扳手（24）用作工具。

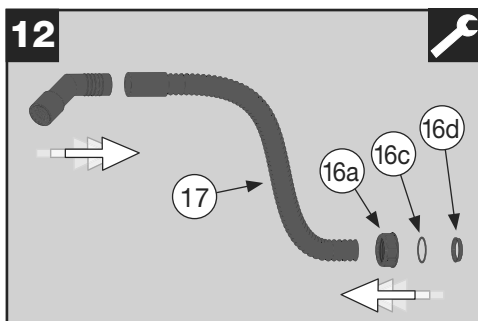


可选步骤（仅用于洗碗机排水口与产品相连的情况下）：

将洗碗机的排水软管牢固地插在洗碗机接口（12）上。我们建议您使用弹簧卡箍固定。



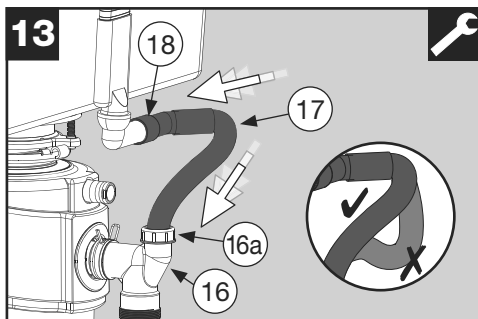
11 松开溢流口锁紧螺母 (16a) 取走L型排水管 (16) 上的溢流口密封盖 (16b) 。



12 请您确定需要的溢流软管 (17) 的长度，然后根据需要对对其进行裁切。

警告 —— 受伤的危險
当您使用割刀裁切软管时，请戴好切割防护手套。

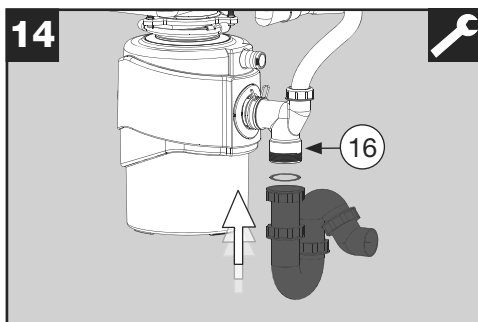
将溢流口锁紧螺母 (16a) ，垫片 (16c) 以及溢流口橡胶密封件 (16d) 依次套在溢流软管 (17) 的末端上。



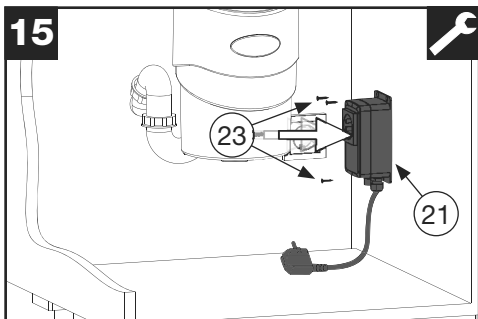
13 将溢流软管接头 (18) 套在水槽的溢流口上 (请尽可能套至最大重叠长度) 。

将溢流软管 (17) 的一端插入L型排水管 (16) 的溢流接口，然后把溢流口锁紧螺母 (16a) 沿着螺纹拧紧。

溢流软管不可以下垂！

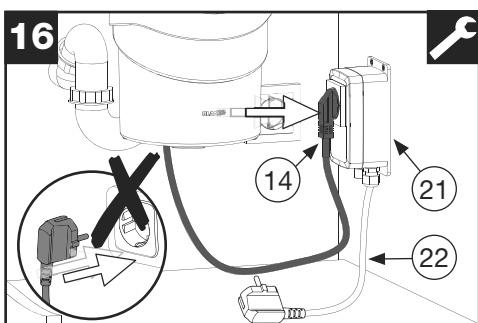


14 将存水弯管组件 (不包括在发货内容里) 连接到L型排水管 (16) 的下方出口，然后连接到您的家庭排水管道接口。



如图所示，用三枚固定螺钉（23）把空气开关电器盒（21）安装在底柜侧壁上厨房电源插座的有效范围内。

请注意：有电缆穿入电器盒的一端必须向下安装。



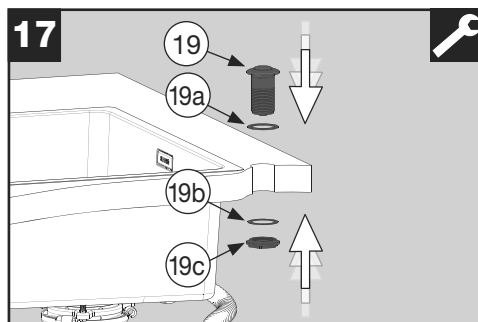
将产品电源插头（14）与空气开关电器盒（21）连接，但是，此时请不要把空气开关电源插头（22）连接到厨房电源插座上。



小心 —— 财物损失 | 警告 —— 电压警告

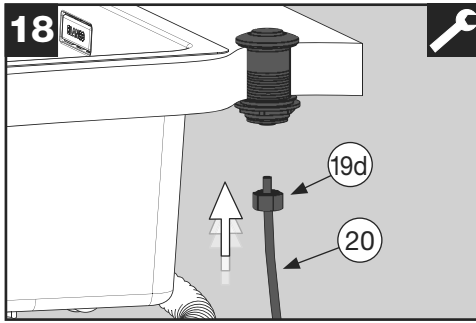


本产品相关的电缆和线路敷设方式必须确保其不会发生损坏。如果电缆、电源插头、空气开关电器盒、空气开关或其线路损坏，请联系BLANCO客户服务（联系方法见1.a节）或者您购买本产品所在地的BLANCO专业经销商。



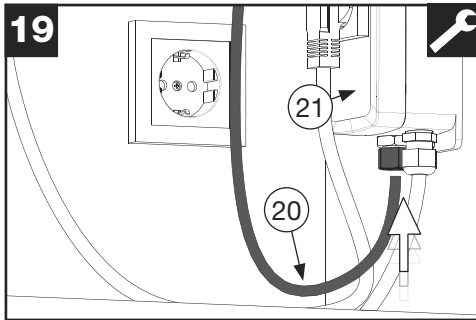
松开并依次取下空气软管锁紧螺母（19d）、空气开关锁紧螺母（19c）、金属垫圈（19b）和空气开关橡胶密封垫圈（19a）。

使用空气开关锁紧螺母（19c）、金属垫圈（19b）和空气开关橡胶密封垫圈（19a）安装固定空气开关（19），将其安装在厨房水槽现有开孔或者另开一个直径 $\varnothing 35\text{ mm}$ 的新钻孔上，亦或将其直接安装在橱柜台面上。请注意确保空气开关橡胶密封垫圈（19a）放在正确的位置。

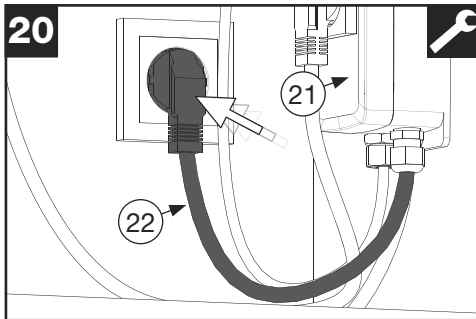


将步骤17中取下的空气软管锁紧螺母 (19d) 套在空气软管 (20) 上。

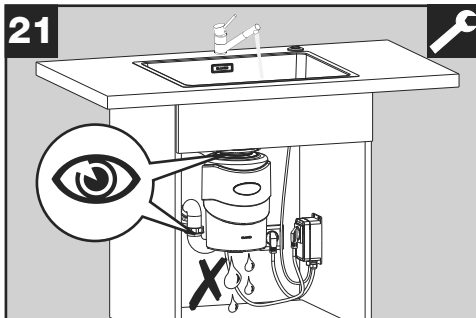
将空气软管 (20) 从下方连接到空气开关 (19) 上，然后用空气软管锁紧螺母 (19d) 将其固定，防止滑出。



将空气软管 (20) 的另一端连接到空气开关电器盒 (21) 上，然后如步骤18那样，用电器盒 (21) 上的另一个空气软管锁紧螺母将其固定。



现在，可将空气开关电器盒 (21) 的空气开关电源插头 (22) 插入厨房电源插座。



按照第7节“首次调试运行”里的要求对产品进行调试。请您再次检查所有的管路连接以及水槽排水口的密封状态。

7. 首次调试运行



危险 —— 触电，财产损失，受伤的危险

只能够由经过培训的专业人员在遵守安全法规的前提下进行本产品的首次调试。

- 请检查产品的运作方式正确与否。为此，请您仔细阅读这份操作指南里的第8节：“产品说明与操作”。
- 产品的研磨腔内不允许存在积水。因此请确保排水管道安装正确。
- 产品的移交：
 - 请向用户解释本产品的功能。让其熟悉使用方法。
 - 请您向用户说明可能出现的危险，尤其是在操作或清洁产品时存在受伤的风险。
 - 移交这份指南（说明书）。
- 请您检查所有的管路连接以及水槽排水口部位的密封状态。

操作

8. 产品说明与操作

厨余垃圾处理器（下文中简称为“产品”）是专门用来粉碎有机厨余垃圾（例如烹饪废料，残羹剩饭）并将这些粉碎后的厨余垃圾通过废水管道排放出去。

不允许将本产品挪作他用（例如用来洗头、洗衣服或者给宠物洗澡）。除本文上段所述之外的任何其它用途，均被视为违规使用。正确的使用也包括遵守本说明书。因疏忽大意、不正确的操作方式、擅自拆解产品或不遵守使用说明书里的规定而造成的损失，一概不在我们的质保范围内。

1. 移除厨房水槽排水口内的滤篮式水槽塞（畅洁款/Medium或尊洁款/Max）或者水槽塞（舒洁款/Lite）。
2. 打开厨房龙头以提供流动的冷水（中等流速）。
3. 启动产品，方法是按下空气开关。
4. 当产品运行且冷水保持流动时，将少量食物垃圾投入水槽排水口。



警告 —— 受伤

有时候您可能必须将较大的食物垃圾经过防溅罩压入研磨腔内。

请记住，切勿将您的手指伸入产品的研磨腔内。也不要将较长的物体（例如长柄汤匙）插入研磨腔。

5. 请等待产品将所有食物垃圾粉碎。当研磨噪音消失，您只能听到电机运行和流水的声音时，说明研磨过程已结束。
6. 让产品和水再继续进行/流动几秒钟，以对产品研磨腔进行冲洗。
7. 现在，请再按一次空气开关，从而关闭产品，然后关闭厨房龙头。
8. 将水槽塞重新放回水槽排水口。这样可以避免无意间的物体落入产品内部。



复位/Reset
开关所在的位置

在产品被正确使用的前提下，厨房排水管不会被堵塞。厨房垃圾在进入废水排放系统之前，将被研磨成很小的碎块。即使在产品停止运行后，仍然可以确保厨房日常使用热水和冷水后的排放。

如果产品过热（例如：连续使用时间过长），那么内置的电机保护将会强制关闭产品以保护其不被损坏。请您让产品冷却一段时间。然后按动产品主机下方的复位/Reset开关。请您确保产品下方的区域空间足够，以确保可以轻易地操作复位/Reset开关。



警告 —— 受伤

请避免在产品运行过程中食物垃圾/碎渣从水槽下水口中甩出，否则您可能因此受伤。因此，绝不能在设有防溅罩（2）的情况下使用产品。在每次产品运行前，必须将防溅罩放入水槽排水口内。也不要将较长的物体（例如长柄汤匙）插入研磨腔。



危险 —— 受伤，财物损失

请您不要把下列物品放入产品里粉碎：

- 高纤维食物（例如：动物毛发、中药渣、玉米包衣、粽子叶、蚕豆壳等）
- 热油
- 极为坚硬、尺寸大的物体（例如蚌类或生蚝壳，大块骨头）

绝不能将下列物品放在设备里磨碎：

- 花园废弃物
- 任何无机材料，例如玻璃、陶瓷、塑料、金属、有刺激性的管道疏通剂或者化学物品，例如颜料、涂料、油或者高温脂肪。




危险 —— 受伤，财物损失

请您不要在产品附近存放或使用可燃物，例如布料、纸张或喷雾罐、汽油或其它可燃蒸气与液体。

9. 故障排除

如果遇到产品无法启动/关机的情况，或者发生其它故障，请您参考我们为您提供的一些故障排查提示。如果仍然不能消除故障，请您不要尝试自行修理，而是联系 BLANCO 客服（联系方式请查阅第1.a小节）或者您购买产品所在地的BLANCO专业经销商。

问题	产品无法启动
原因	堵塞
解决办法	长纤维食物垃圾被卡在研磨腔内，或者极其坚硬/大块的固体堵塞了研磨系统。这样造成电机过热，产品自动关机。 1.请把空气开关电源插头从插座中拔出；
	 危险 —— 受伤，财物损失 如果您要清洁产品的内部或者清除研磨腔内的堵塞物，那么必须先要将产品从电网中断开。

2. 请您将附件中的六角扳手（24）插入设备底部中间的孔。来回旋转扳手，直到可以完整地旋转一圈。然后，请取走六角扳手；



危险 —— 受伤，财物损失

在您重新启动产品之前，请您务必先把六角扳手从产品底部取下。



3. 小心地将研磨腔内的异物取出。可以使用的辅助工具有：
带有长手柄的钳子或者螺丝刀；

4. 重新将空气开关电源插头插入插座；

5. 请您让电机冷却10分钟左右，然后重置一次过载保护（按动产品底部红色的复位/Reset按键）。

提示：铂浪高厨余垃圾处理器尊洁款/Max具有自动反转功能。这意味着当堵塞发生后，研磨盘将自动反向旋转，堵塞将自动解除。如果仍然无法解决堵塞问题，请按照上述步骤操作。

原因	产品过热关机
解决办法	如果设备过热（例如：连续使用时间过长），那么产品内置的电机保护将会强制关机以保护其不被损坏。请您让产品电机冷却10分钟左右。然后重置一次过载保护（按动产品底部红色的复位/Reset按键）。

原因	设备未收到来自空气开关电器盒的信号
解决办法	请您检查连接空气开关与电器盒的软管以及所有的电缆，辨别其是否有损坏。请您检查是否所有的电缆都被正确连接。当您短暂地把设备电源插头从空气开关电器盒上拔下并直接连接到厨房插座上以后，该设备是否运行？

如果设备未运行：重置一次过载保护（按动设备底面红色的重置/Reset按键），然后再试一次。请您检查厨房插座的电源功能是否正常，方法是将另一台用电设备插入插座并测试。在某些情况下，可能是空气开关已坏。请您联系 BLANCO 客服（联系方式请查阅第1.a小节）或者您购买设备所在地的BLANCO专业经销商。

问题 水槽下水口散发难闻气味

原因 脏污

解决办法 请参阅“清洁和护理”章节。

问题 异常的声音

原因 食物垃圾太坚硬或研磨腔里有异物

解决办法 产品运行时可能产生异响或较高的噪音，取决于被研磨的是哪种厨余垃圾。垃圾越是坚硬，所产生的声音越响。

另一个可能的原因是异物卡在了研磨腔内。请按照“清洁和护理”一章讲述的方法，移除异物。

原因 磨损

解决办法 如果产品使用频繁，产品的研磨装置、电机轴承或其它产品零件将随着时间推移而磨损。请您联系 BLANCO 客服（联系方式请查阅第1.a小节）或者您购买产品所在地的BLANCO专业经销商。

清洁和护理

10. 清洁和护理

通常情况下，产品不需要维护，几乎可以自行清洁。然而，随着时间的推移，研磨腔内与橡胶防溅罩上都可能堆积食物碎屑。由此可能产生异味，所以必须要清洁橡胶防溅罩和/或研磨腔。有多种方式可以清洁产品，并消除异味：

a. 简单且快速的清洁：

在每一次使用产品后，向研磨腔内注入热水，让热水完整地冲刷产品。如有需要，可以在热水里添加一点洗洁精。不可以让产品长时间运行，否则可能会因过热而导致产品自动关机。

b. 快速清洁研磨腔：

在研磨腔内放入冰块，然后启动产品。冰块被粉碎，然后这些碎冰就可以轻松、快速、有效地清洁研磨腔，且不会造成损坏。

c. 深入清洁研磨腔：

除冰块之外，在产品的研磨腔内额外放入柠檬块或橙子块，然后短暂地启动产品，让冰块与这些柑橘类水果块一同被粉碎。碎冰块可以清洁研磨腔，而柑橘类水果中的柠檬酸可以消除难闻的异味并减少碳酸钙沉淀。在重新使用产品之前，请您让产品在这些碎冰块和碎水果块被保留在研磨腔内的情况下保持30分钟左右。这样可以使柠檬酸充分发挥效用。

d. 手动清洁防溅罩（2）与研磨腔：

将空气开关电源插头从插座中拔出以断开电源，首先请小心地将防溅罩从水槽下水口中取出，然后用合适的工具（如刷子）清洁防溅罩和研磨腔。然后，把防溅罩重新放回水槽下水口并用水槽塞密闭。在水槽中注入相当于其一半容积的温水。您可以选择在水中加入几滴洗洁精，或者在水中倒入一汤匙小苏打粉（碳酸氢钠）并充分溶解。随后重新连接电源，并启动产品。最后移除水槽塞，槽中加有洗洁精或碳酸氢钠的温水将流入研磨腔将其清洁并冲洗。



危险 —— 受伤，财物损失

如果您要清洁产品内部，那么必须首先将产品从电网上断开。

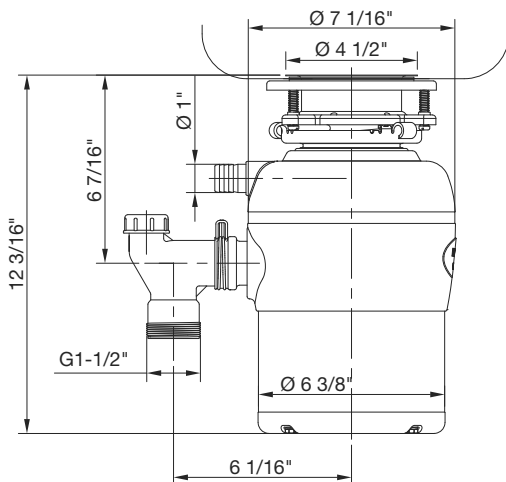
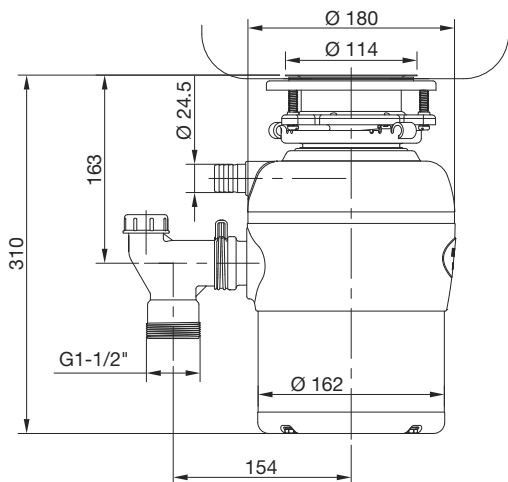
e. 清洁水槽塞：

水槽塞（1a - 舒洁款/Lite）以及滤篮式水槽塞（1b - 畅洁款/Medium或尊洁款/Max）都可以放入洗碗机清洗。

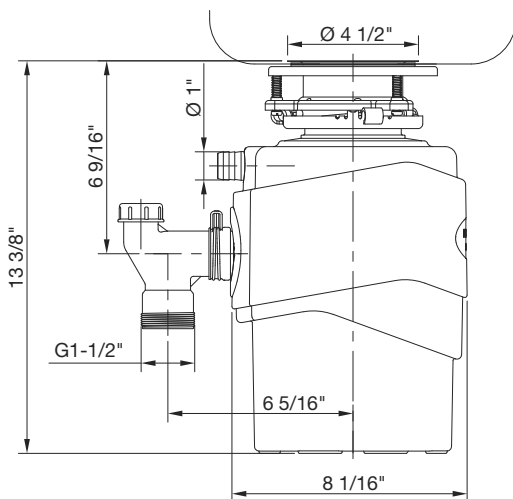
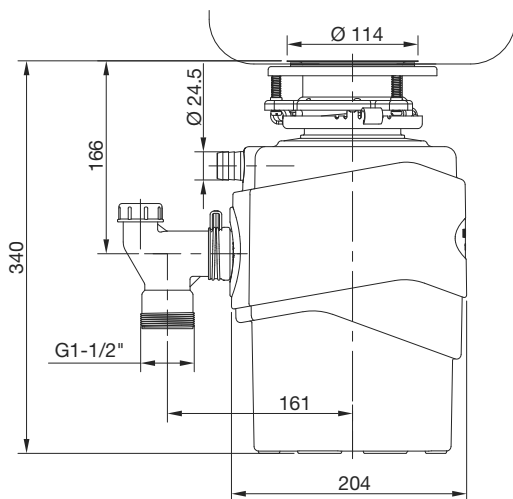
技术参数

11. 尺寸和接口

铂浪高厨余垃圾处理器舒洁款/BLANCO FWD Lite:



铂浪高厨余垃圾处理器畅洁款/BLANCO FWD Medium, 铂浪高厨余垃圾处理器尊洁款/BLANCO FWD Max



12. 数据表格

	铂浪高厨余垃圾处理器舒洁款/Lite	铂浪高厨余垃圾处理器畅洁款/Medium	铂浪高厨余垃圾处理器尊洁款/Max
电压/频率	~ 220-240 V / 50 Hz	~ 220-240 V / 50 Hz	~ 220-240 V / 50 Hz
电机型号	AC	AC	AC
功率	370 W / 10 A	560 W / 10 A	750 W / 12 A
电机转速	1,470 rpm	1,470 rpm	1,470 rpm
研磨等级	2	3	3
研磨腔容积	900 ml	1,200 ml	1,200 ml
净重	7.4 kg / 16.3 lb	10.2 kg / 22.5 lb	10.6 kg / 23.4 lb
多久后自动关闭	~ 25 min	~ 25 min	~ 15 min

13. 产品执行标准

GB 4706.1-2005 《家用和类似用途电器的安全 第1部分：通用要求》

GB 4706.49-2008 《家用和类似用途电器的安全 废弃食物处理器的特殊要求》

GB/T 22802-2008 《家用废弃食物处理器》

环保和回收

用于运输和销售的包装材料的废弃处理

为确保产品在运输和销售环节中没有损伤地到达您的手中，我们对其进行了仔细的包装。请为保护环境作出您的贡献，用正确的方式废弃处理产品的包装材料。请将运输包装交给专业回收人员。

14. RoHS表格

产品中有害物质的名称和含量

零部件名称	有害物质					
	铅 (Pb)	汞 (Hg)	镉 (Cd)	六价铬 (Cr(VI))	多溴联苯 (PBB)	多溴二苯醚 (PBDE)
水槽塞组件	○	○	○	○	○	○
卡盘组件	○	○	○	○	○	○
水槽法兰组件	○	○	○	○	○	○
上研磨腔组件	○	○	○	○	○	○
下研磨腔组件	X	○	○	○	○	○
研磨盘组件	○	○	○	○	○	○
电机组件	○	○	○	○	○	○
底盖组件	○	○	○	○	○	○
手动复位保护器	○	○	○	○	○	○
主控板组件	○	○	○	○	○	○
离心开关组件	○	○	○	○	○	○
外壳组件	○	○	○	○	○	○
排水组件 (附件包)	○	○	○	○	○	○
电源线	○	○	○	○	○	○
空气开关组件	○	○	○	○	○	○

本表格依据SJ/T 11364的规定编制。

○：表示该有害物质在该部件所有均质材料中的含量均在GB/T 26572规定的限量要求以下。

X：表示该有害物质至少在该部件的某一均质材料中含量超出GB/T 26572规定的限量要求。

注意：上表包含了本公司生产的此类产品的全部部件，本产品的部件以实际配置为准。如您对此有任何疑问，请拨打本产品所提供的公司售后服务电话。

产品环保信息提示性说明

请按照产品说明书的要求使用和维护本产品,不当利用或者处置本产品可能会对环境和人类健康造成影响。依照中国《废弃电器电子产品回收处理条例》的有关规定，当您计划将此产品废弃时，请将其交给具有废弃电器电子产品处理资格的处理企业进行处理。产品中有毒有害物质含量信息参照上表。

质保

15. 保修指南

如果您的产品出现异常，在联系客户服务前，请先根据本说明书中的故障排除提示进行排查。您可以在本指南中找到客户服务的联系方式。

联系我们时，请提供下列产品信息：

- 详细的地址和电话号码
- 故障描述
- 收货及购机日期
- 产品型号
- 随机条形码
- 生产日期

上述信息有助于更好地为您提供服务，同时也可以为您省去不必要的开支。产品型号请参见铭牌。

工程师上门服务前，请提前准备好保修卡和购机发票。

中国客户服务热线：021-5835 5662

a. 对中国境内各地服务有意见和建议也可直接向我公司中国承销商客户服务中心反馈。

b. 中国承销商客户服务中心地址：

上海市浦东新区丹桂路899号张江国创中心1幢215-216室

服务传真：021-58355667

邮编：201203

官方网站：www.blanco.de

16. 保修说明

a. 感谢您使用我们的产品，我公司将依据《中华人民共和国消费者权益保护法》，《中华人民共和国产品质量法》以及《部分商品修理更换退货责任规定》的有关规定，凭保修卡及有效发票为您提供保修服务。

b. 本产品保修期如下：

铂浪高厨余垃圾处理器舒洁款/BLANCO FWD Lite：整机三包有效期三年；

铂浪高厨余垃圾处理器畅洁款/BLANCO FWD Medium：整机三包有效期六年；

铂浪高厨余垃圾处理器尊洁款/BLANCO FWD Max：整机三包有效期六年。

注意：保修期内外的确定应以用户购机销售凭证的日期为准，如用户丢失凭证的，则以产品编号的生产日期顺延30天为起始日期推算保修期限。

c. 产品存在瑕疵但不影响产品的性能、功能，也不违反国家强制性规定，品牌方、销售商作降价处理的，其保修条件同上，但因此而降价的部位/部件不予保修。

d. 下列情况不属于保修范围：

- 消费者因使用、维护、保管不当造成损坏的；
- 自行或非品牌方特约维修人员拆修的；
- 无保修凭证及有效发票的；
- 产品缺损或三包凭证型号与维修产品型号不符或者涂改的；
- 因自然灾害等不可抗力造成损坏的；
- 由于产品使用环境条件，例如：电源、水源、温度、湿度等非本公司所能控制的因素引起的一切损坏及损失。

注意：商店、公司集体使用等非家庭使用的产品，整机及主要部件包修三个月。如需延长包修期，以本公司服务政策为准。

e. 退换货规定（根据国家新三包）

- 自售出之日起7日内，发生性能故障，可以选择退货、换货或修理。
- 自售出之日起15日内，发生性能故障，可以选择换货或者修理。
- 三包有效期内，发生同一性能故障，修理两次以上，仍不能正常使用的产品，可免费调换同规格的产品。

注意：性能故障指对产品的安全性能故障和使用性能故障进行的修理，不包括对其它质量问题的修理或上门。

17. 保修卡

用户姓名		电 话	
地 址			
产品型号		购机价格	
生产日期		购机商店	
发票号码		购买日期	
备注：			
维修项目	维修员签名	日期	
请妥善保管此卡，合格证和发票，终身受益！			

贴发票处

BLANCO

BLANCO GmbH + Co KG
Service
Tel.: +49 7045 44-81 419
service@blanco.com
www.blanco.com

BLANCO

BLANCO UK LIMITED
1 Victor Way, Colney Street
St. Albans, AL2 2FL, United Kingdom
Telephone +44 (0) 1923 635 292
info@blancotapservice.co.uk