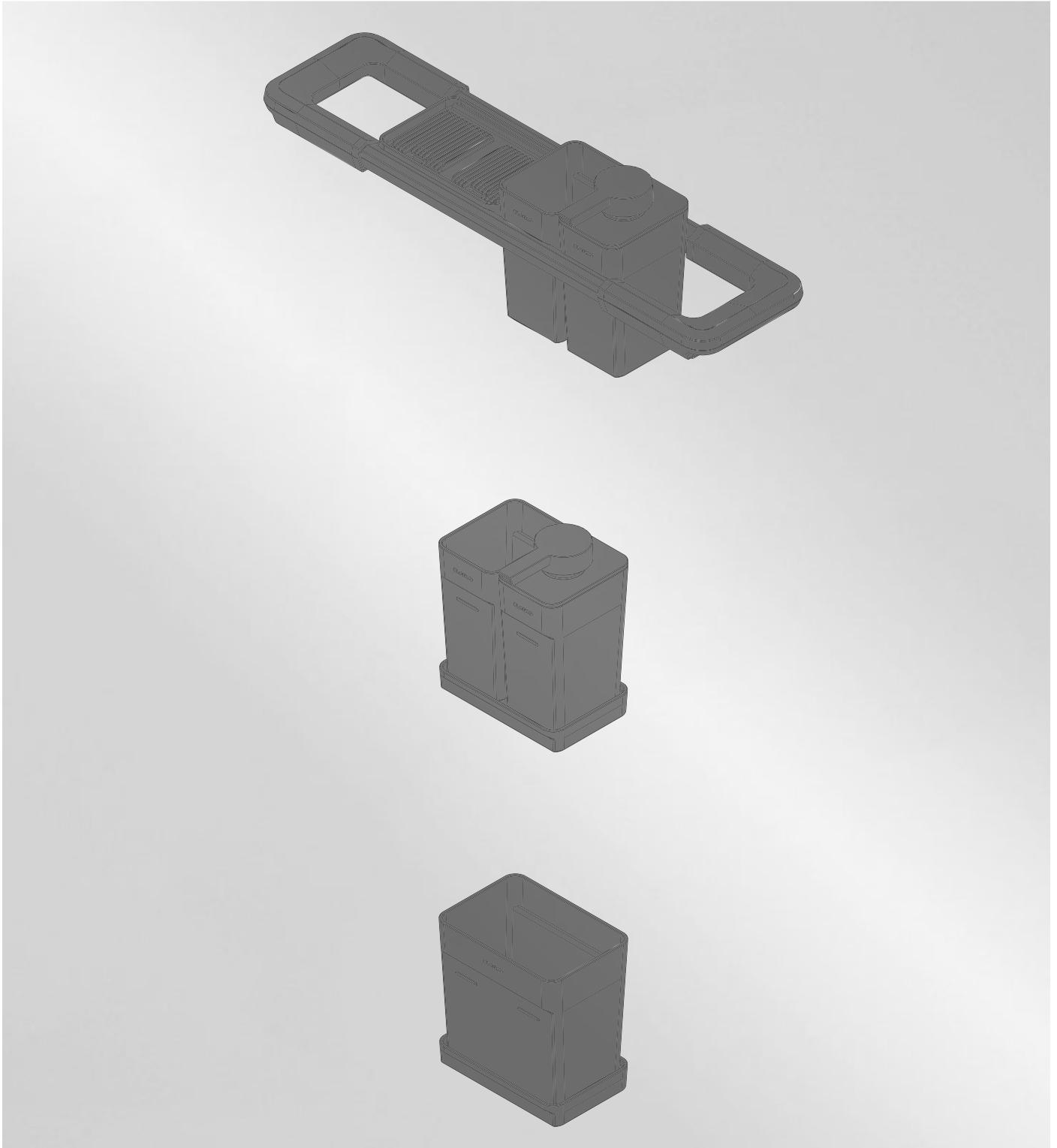


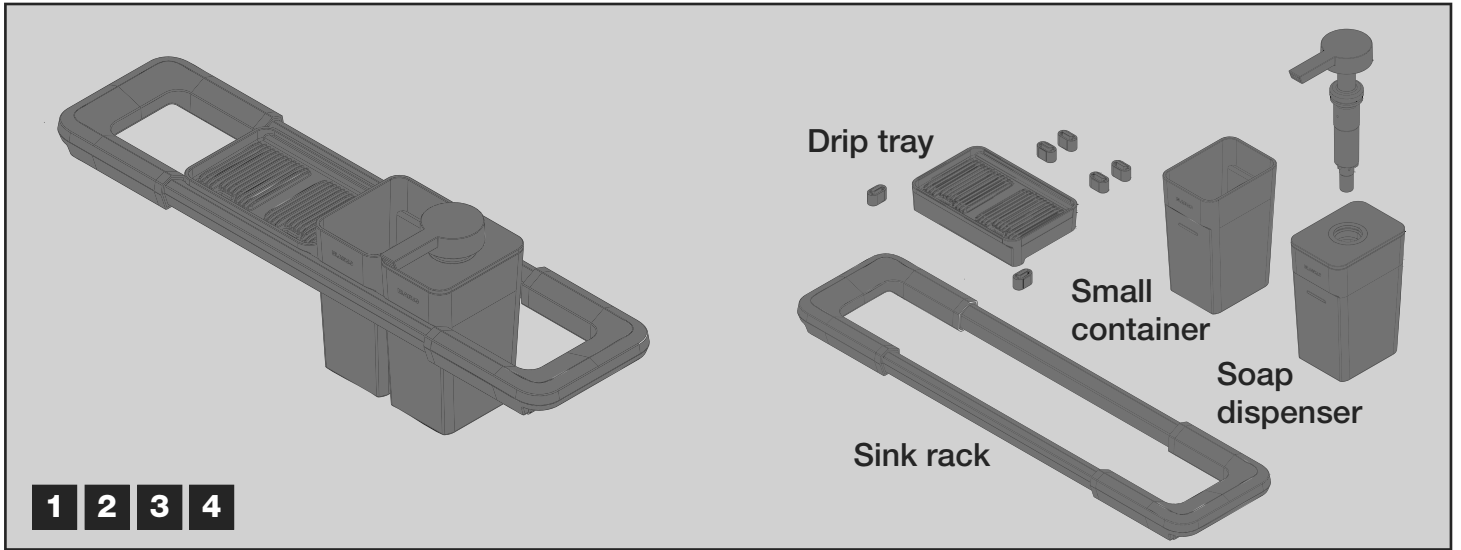
BLANCO Worktop Organizer Sets



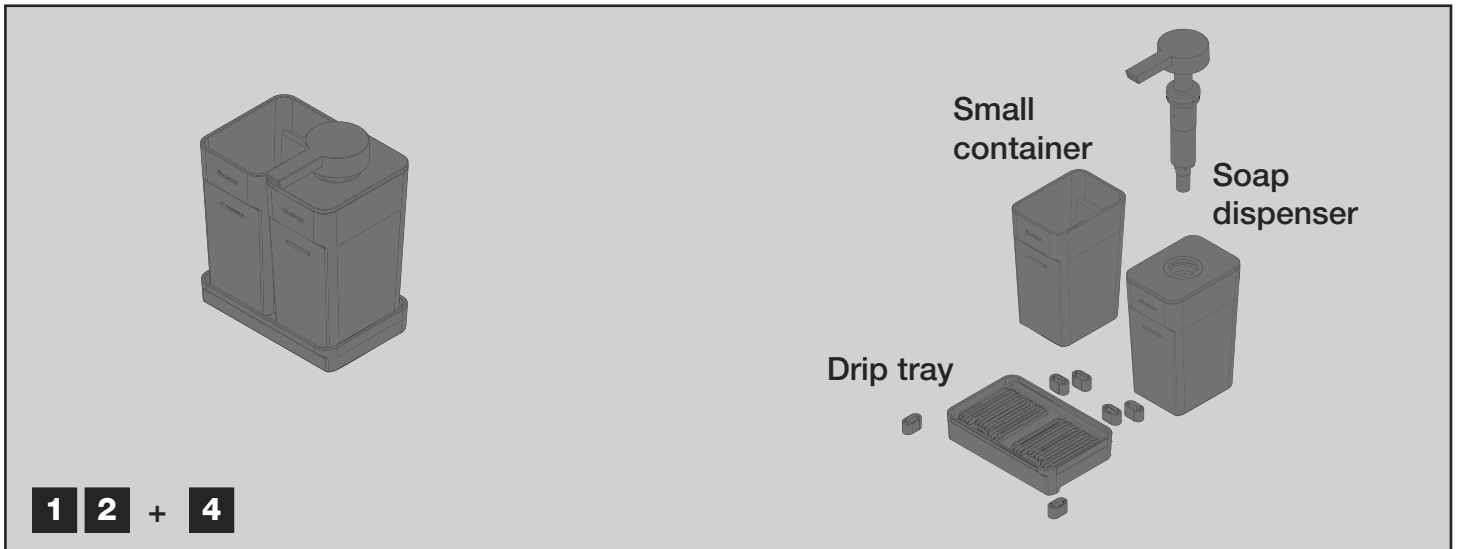
WARNING:
CHOKING HAZARD — Small parts not for children under 3 years or any individuals who have a tendency to place inedible objects in their mouths.



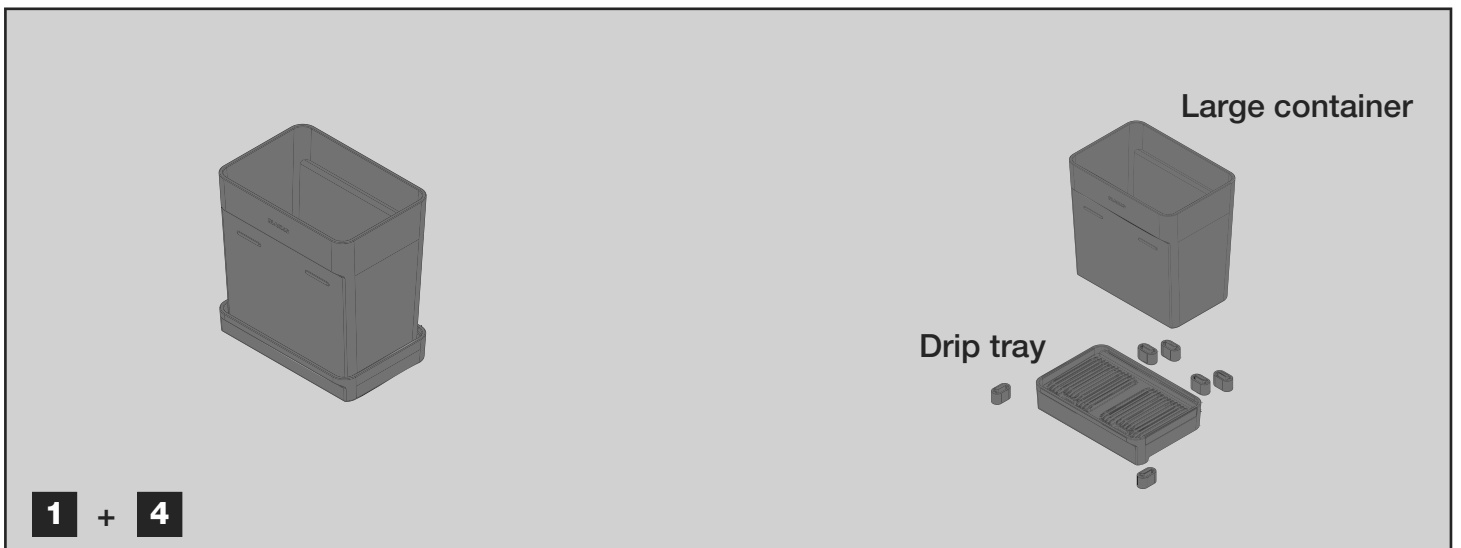
527 448 - Worktop Organizer Main Set

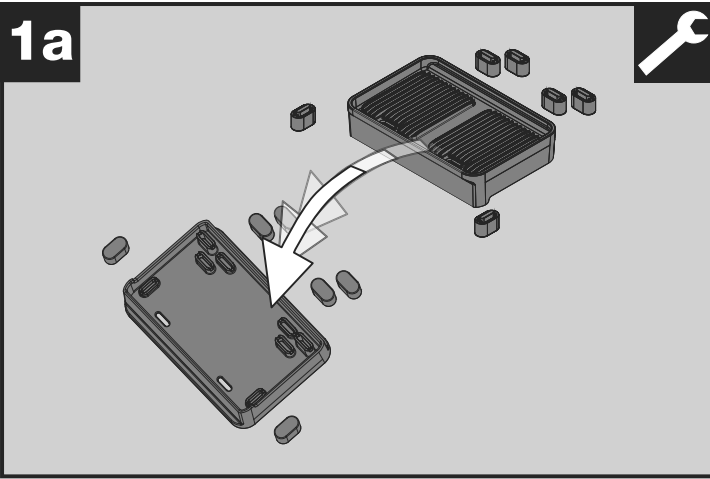


527 449 - Worktop Organizer Soap Dispenser

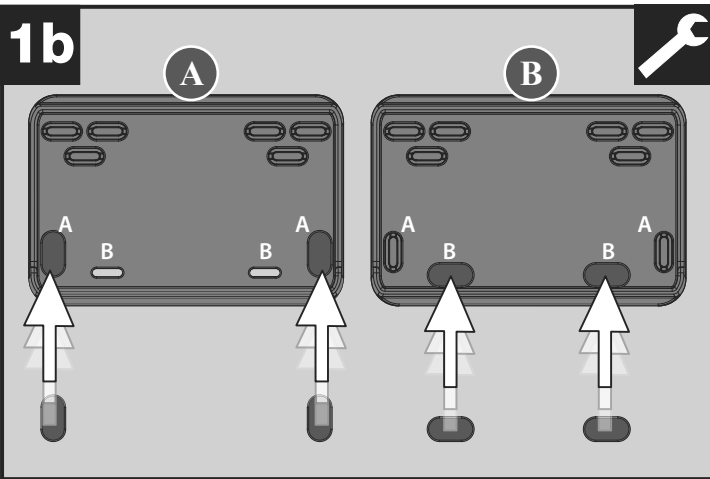


527 450 - Worktop Organizer Container



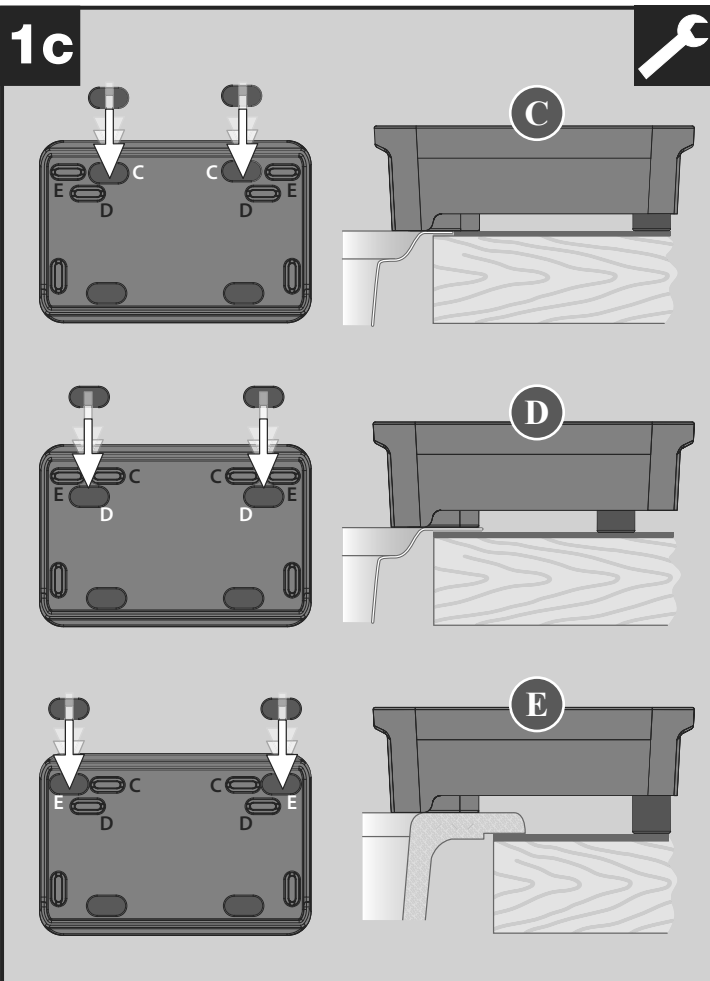


Change positions of drip tray feet.



Front: Drip hole

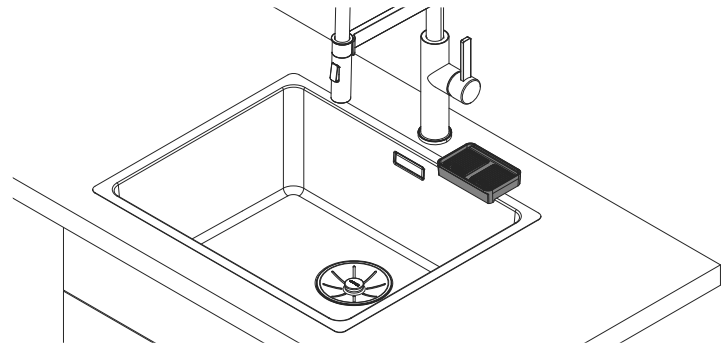
A: open
B: closed

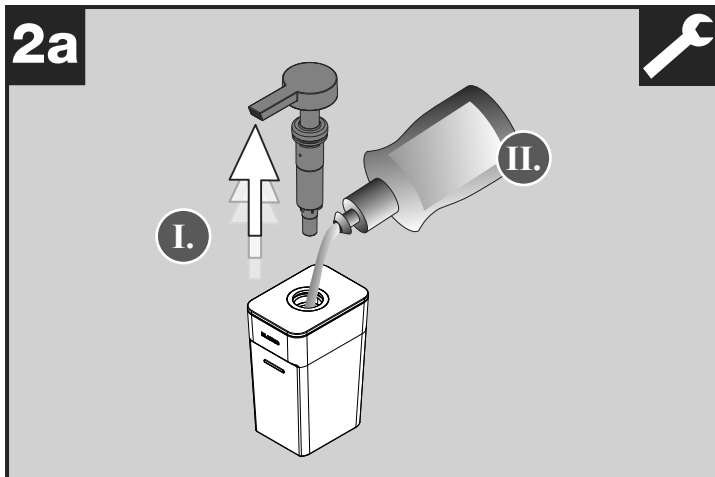


Rear: Height adjustment for positioning at the sink rim

C: 0 mm - flat even
D: 1 mm - on a 1 mm sink rim
E: 7 mm - for inset sinks with rim

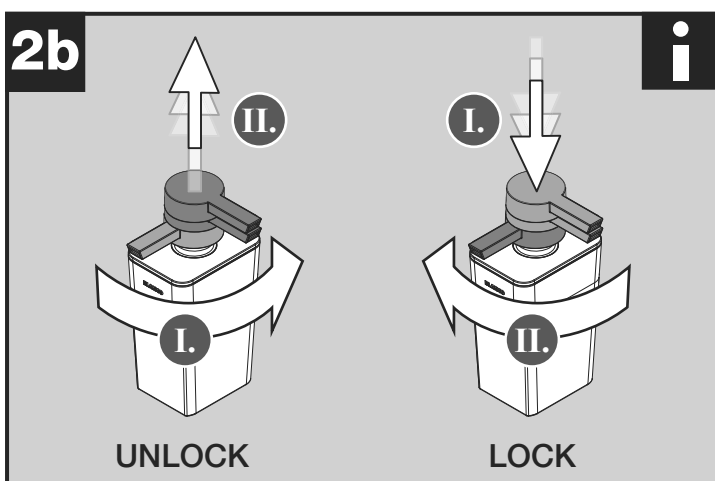
Two feet are spare.





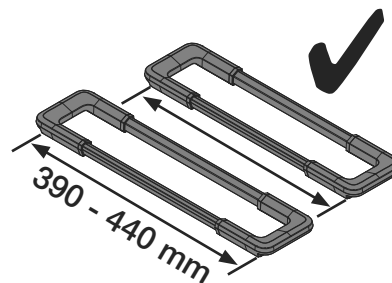
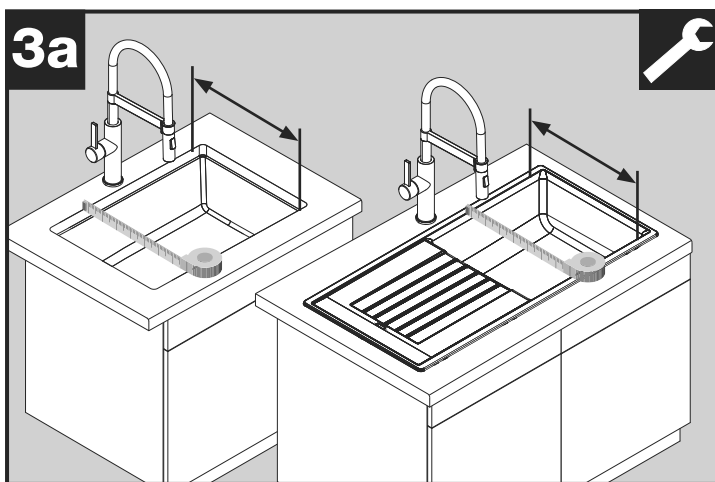
Pull out the pump and fill in common hand soap or washing-up liquid.

Dispenser is not suitable for food.

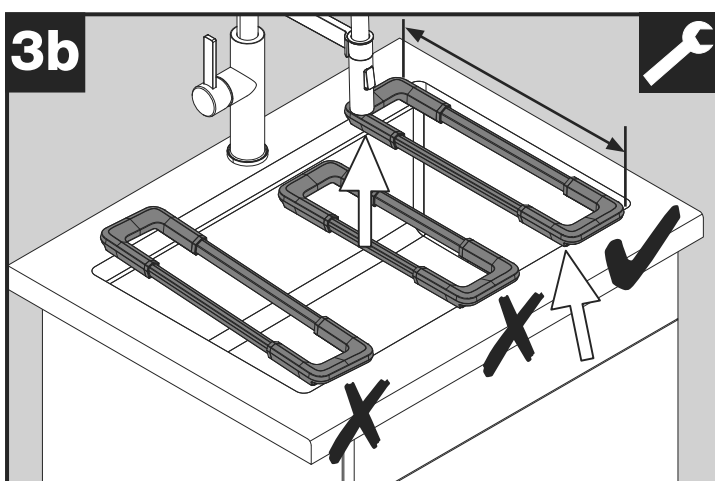


Unlock:
turn head counter-clockwise.

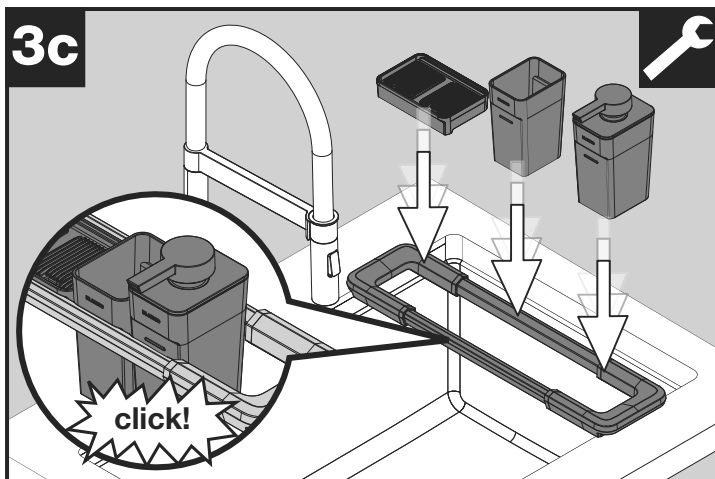
Lock:
press down pump and turn head clockwise.



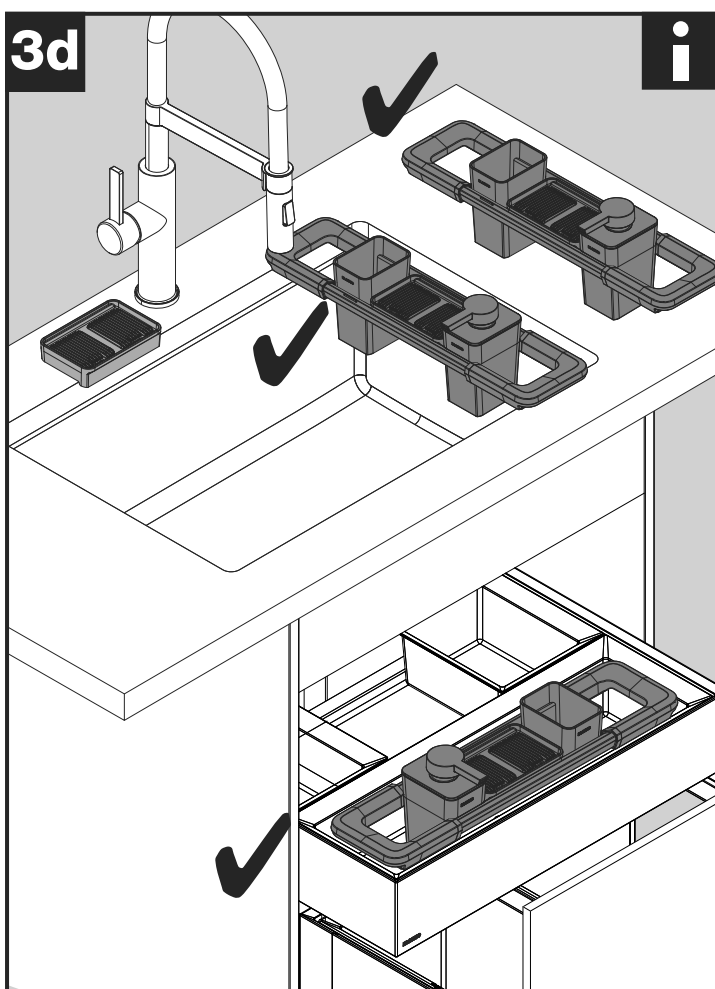
Fits in bowls with a width between 396 mm and 440 mm.



Sink rack must be extended to the maximum to achieve a safe position in the bowl.



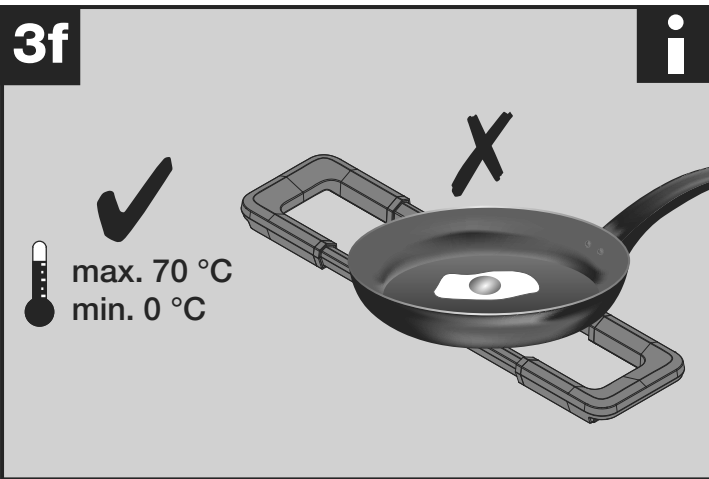
Insert container and soap dispenser gently into the sink rack. Once positioned correctly a „click“ will be recognized.



Flexible use either on the worktop, sink rim, included sink rack or organization systems.



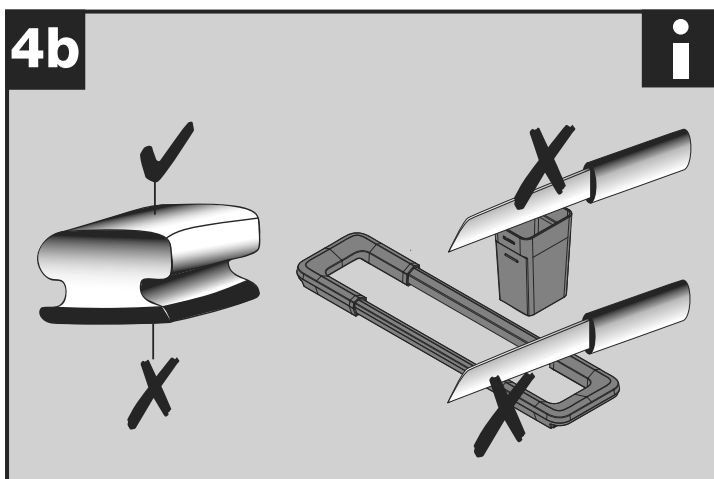
Maximum loading weight 10 kg.



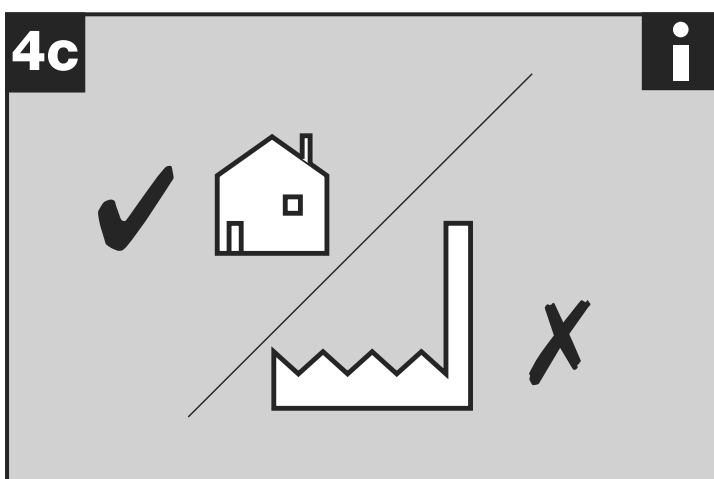
No heated utensils.



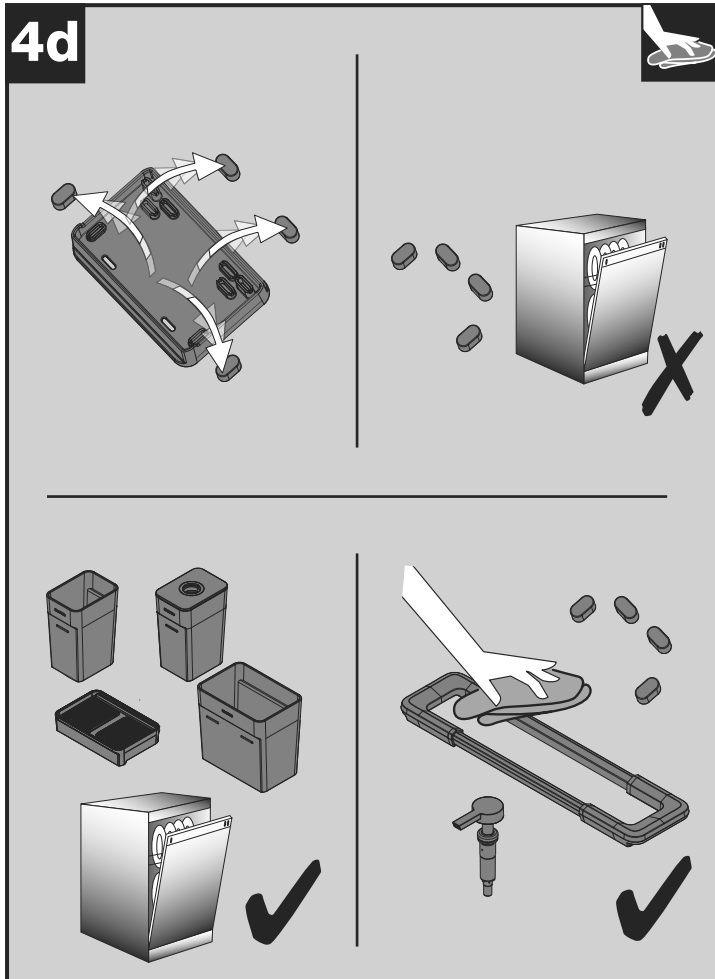
Not suitable for small children as small parts are included. This is not a toy.



Do not scratch on the surface.



Use only for private use/intended uses.



Suitable for cleaning in the dishwasher (except sink rack, drip tray feet and pump head of soap dispenser).

Easily upgrade your new worktop organizer and experience useful add-ons.

Visit the BLANCO Shop:



blanco.com/worktopupgrade

BLANCO

BLANCO GmbH + Co KG
 Service
 Tel.: +49 7045 44-81 419
service@blanco.com
www.blanco.com



124 517 | Rev00 02/2024