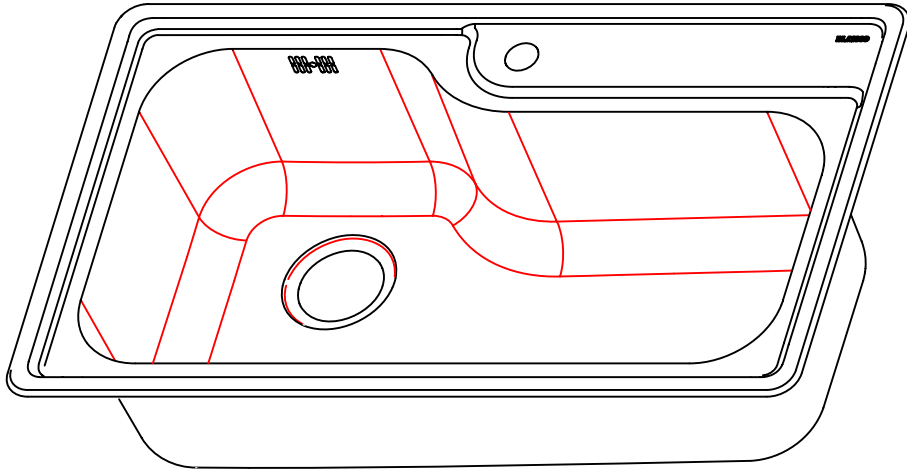
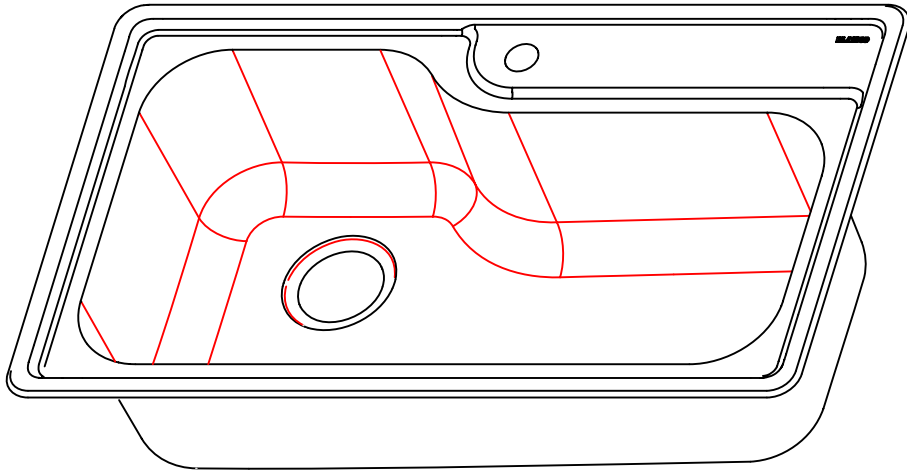


INSTALLATION INSTRUCTIONS

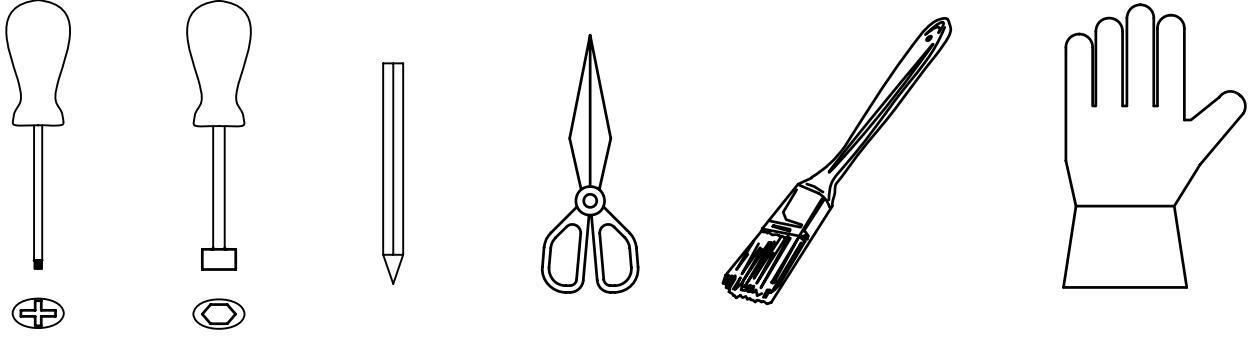
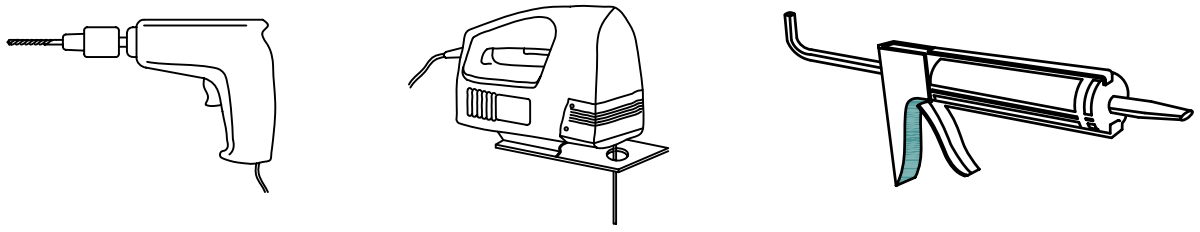


00219741

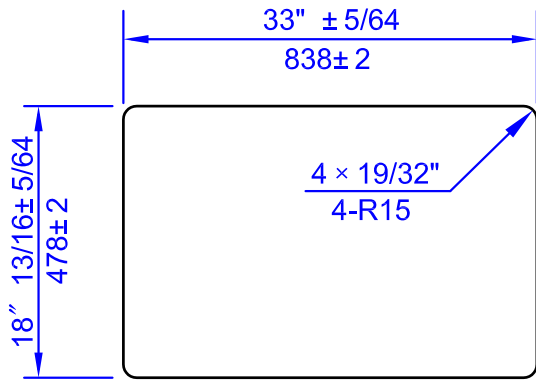


00220628

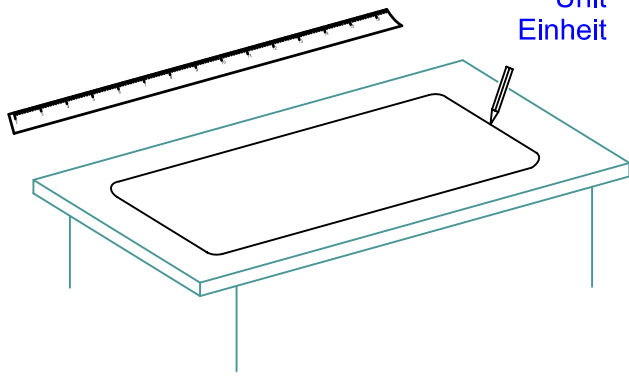
A



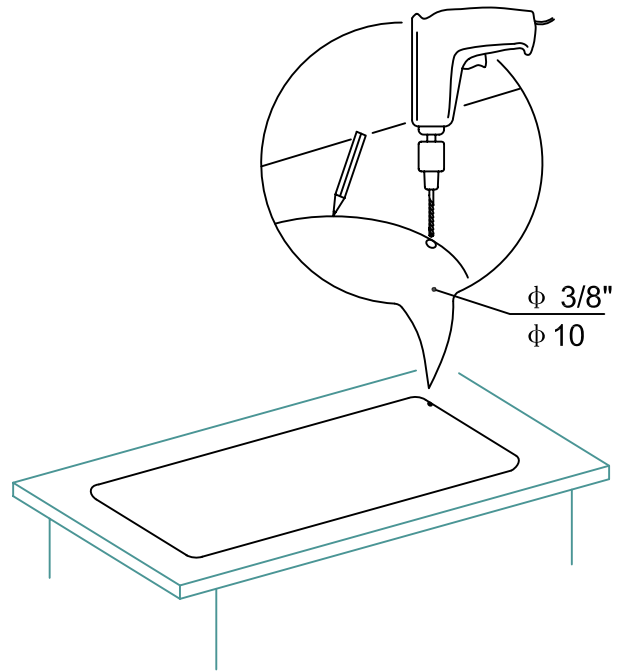
B



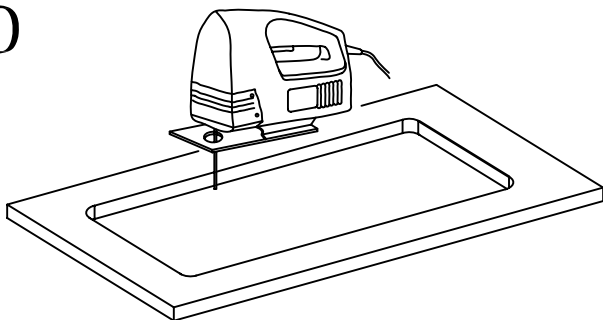
Unit inch
Einheit mm



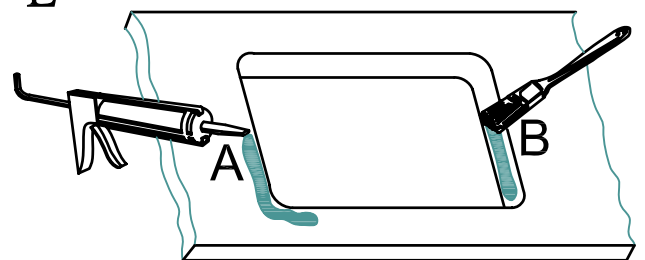
C



D

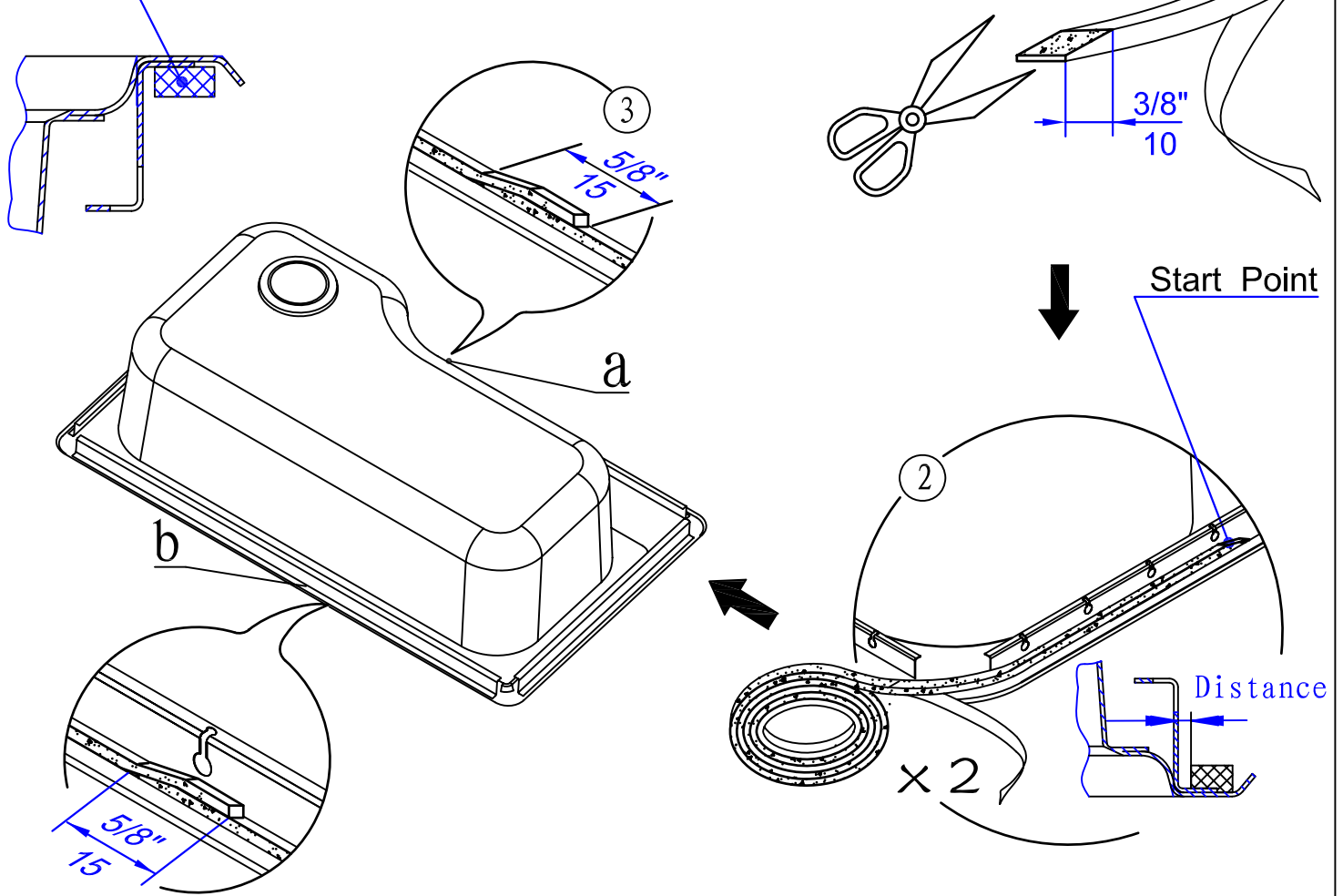


E



F

Gasket Expanded Rubber



G

